



Trihedral Corner Reflector, 1.8"

Description:

Model SAJ-018-S1 is a 1.8" x 1.8" x 1.8" trihedral corner reflector, featuring a rugged aluminum construction with a gold chemical film finish. The trihedral reflector simulates radar target precisely and is widely used for Radar system calibration. With a ¼-20 threaded hole for a built in mounting bracket, the reflector can be mounted onto a tripod for rapid system setups.



Features:

- Compact Size
- High RCS
- Rugged Configuration

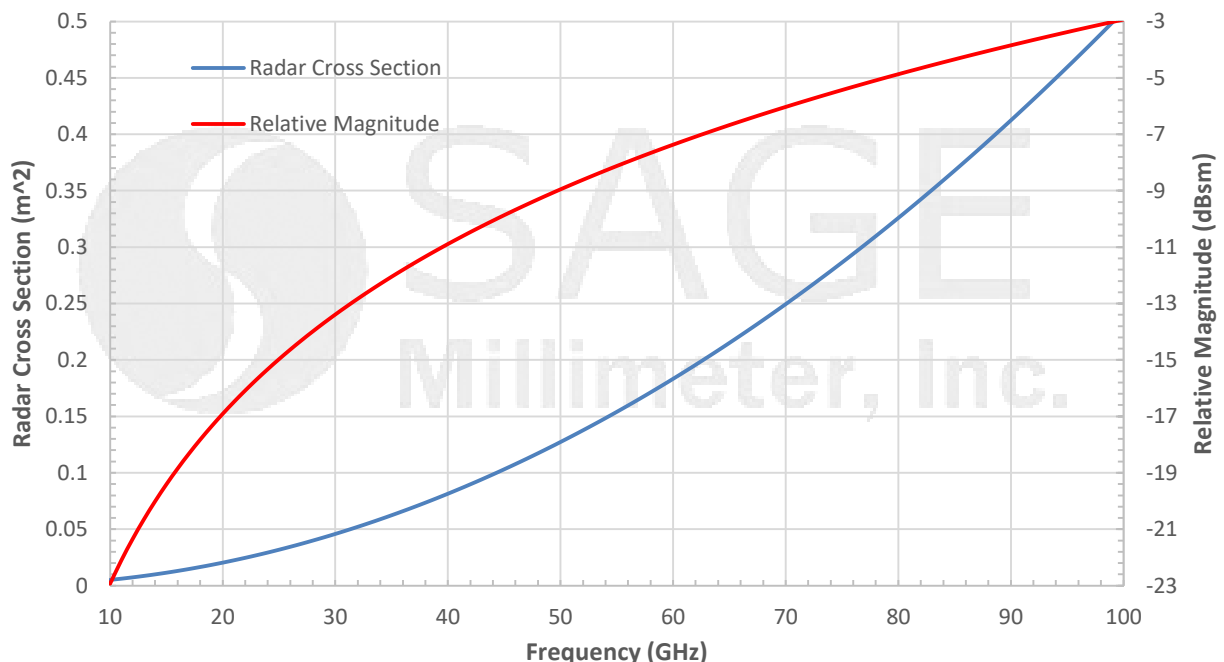
Applications:

- Radar Target Simulator
- Radar System Evaluation
- Radar System Calibration

Mechanical Specifications:

Item	Specifications
Mounting	¼-20 Threaded Hole
Finish	Gold Chem Film
Weight	3.3 Oz
Edge Length	1.8"
Outline	AJ-S-1.8

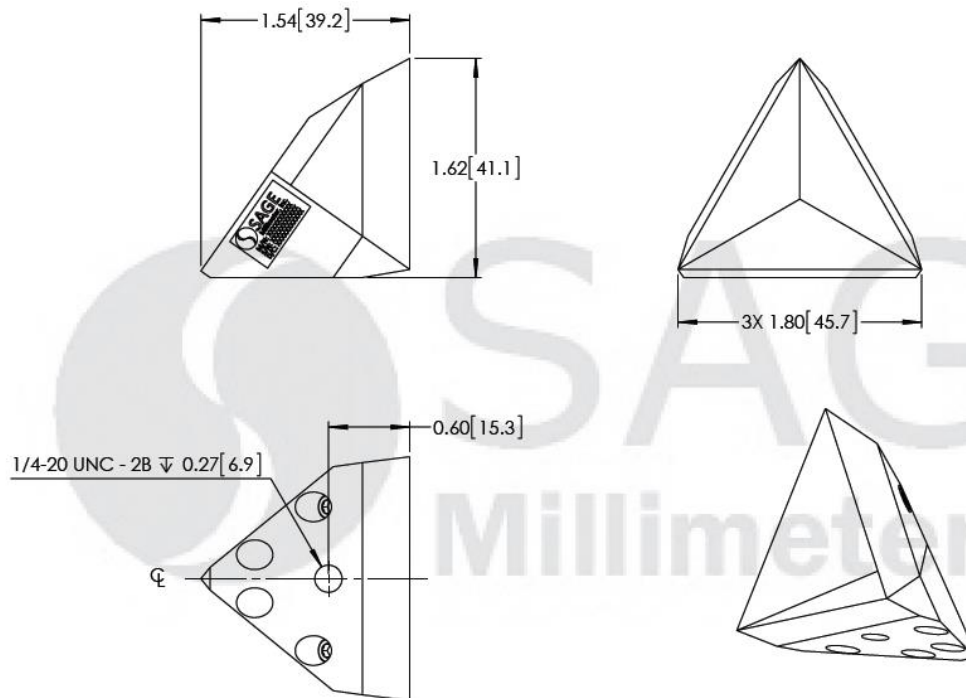
Calculated Radar Cross Section and Relative Magnitude





Trihedral Corner Reflector, 1.8"

Mechanical Outline: (Unless otherwise specified, all dimensions are in inches [millimeters])



Note:

- All data presented is simulated. Actual data may vary.
- SAGE Millimeter, Inc. reserves the right to change the information presented without notice.

