



## Trihedral Corner Reflector, 6"

### Description:

**Model SAJ-060-S1** is a 6" x 6" x 6" trihedral corner reflector, featuring a rugged aluminum construction with a gold chemical film finish. The trihedral reflector simulates radar target precisely and is widely used for Radar system calibration. With a ¼-20 threaded hole for a built in mounting bracket, the reflector can be mounted onto a tripod for rapid system setups.



### Features:

- Compact Size
- High RCS
- Rugged Configuration

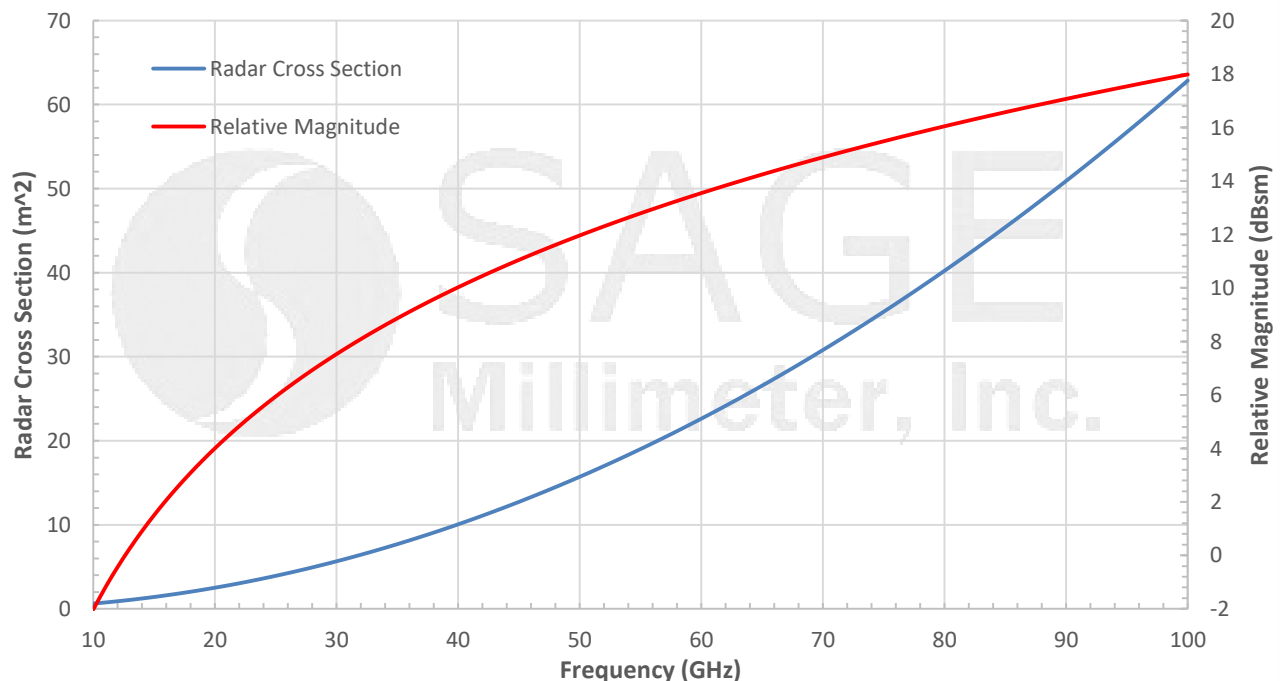
### Applications:

- Radar Target Simulator
- Radar System Evaluation
- Radar System Calibration

### Mechanical Specifications:

Item	Specifications
Mounting	¼-20 Threaded Hole
Finish	Gold Chem Film
Weight	13.5 Oz
Edge Length	6.0"
Outline	AJ-S1-6.0

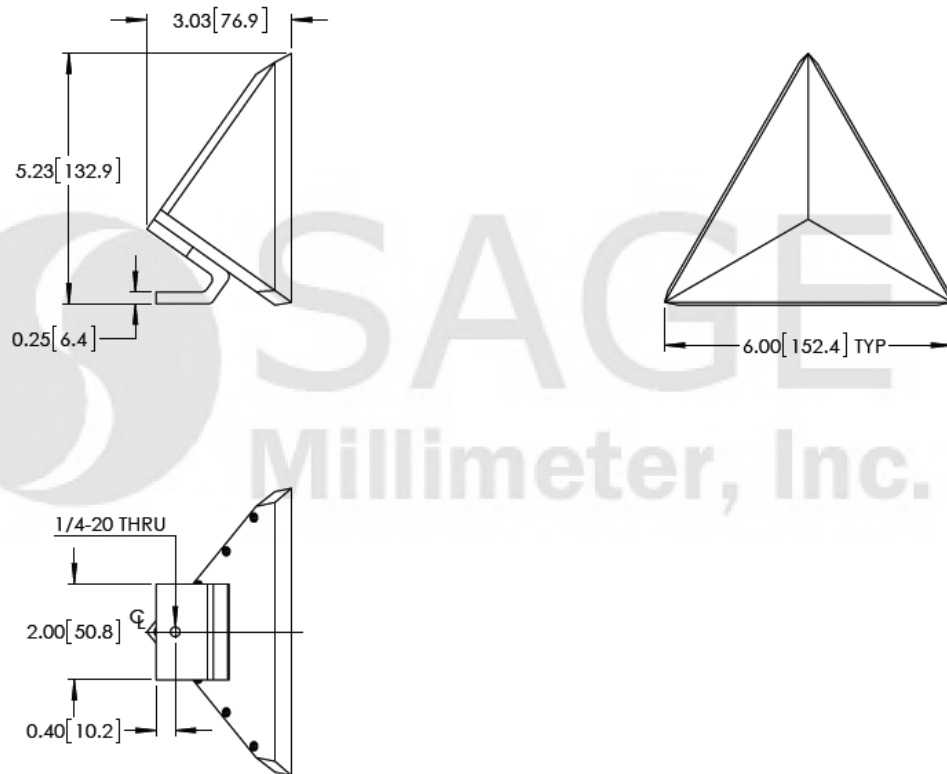
### Calculated Radar Cross Section and Relative Magnitude





## Trihedral Corner Reflector, 6"

**Mechanical Outline:** (Unless otherwise specified, all dimensions are in inches [millimeters])



### Note:

- All data presented is simulated. Actual data may vary.
- SAGE Millimeter, Inc. reserves the right to change the information presented without notice.

