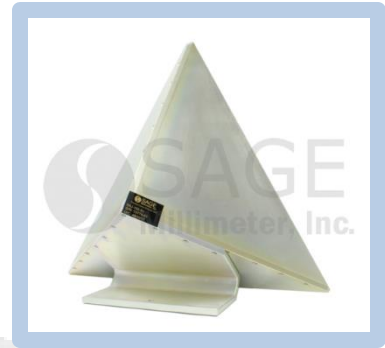




Trihedral Corner Reflector, 13.5"

Description:

Model SAJ-135-S1 is a 13.5" x 13.5" x 13.5" trihedral corner reflector, featuring a rugged aluminum construction with a gold chemical film finish. The trihedral reflector simulates radar target precisely and is widely used for Radar system calibration. With a ¼-20 threaded hole for a built in mounting bracket, the reflector can be mounted onto a tripod for rapid system setups.



Features:

- Compact Size
- High RCS
- Rugged Configuration

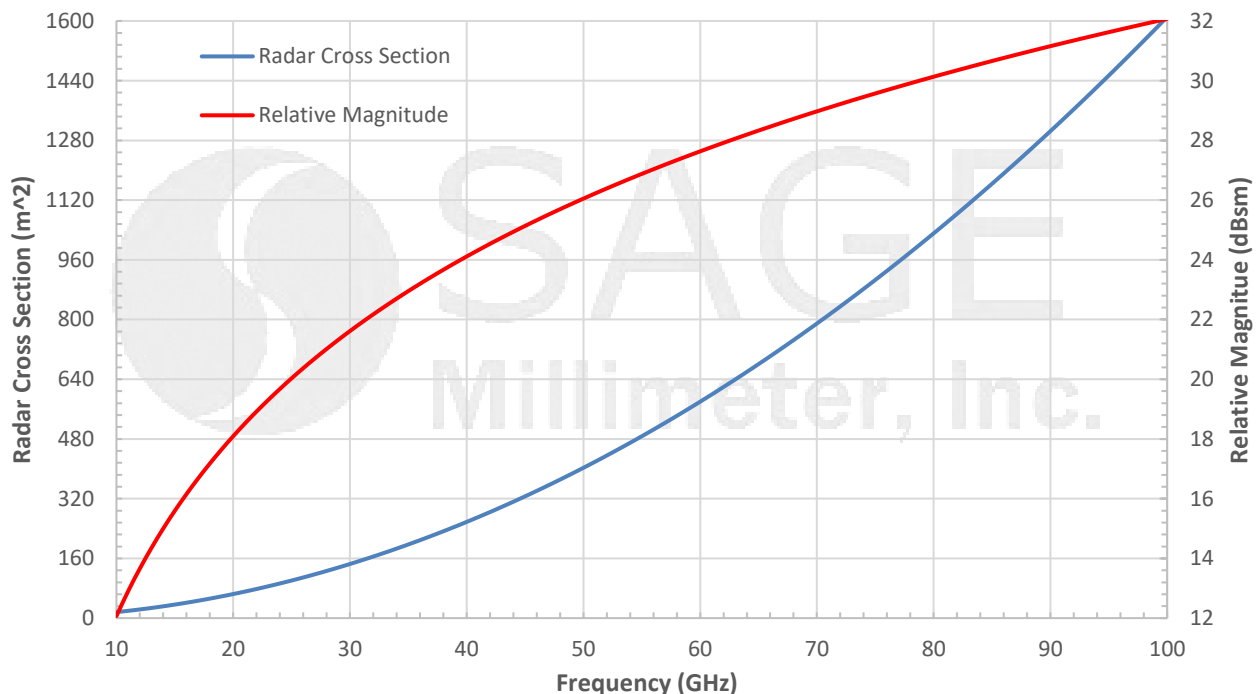
Applications:

- Radar Target Simulator
- Radar System Evaluation
- Radar System Calibration

Mechanical Specifications:

Item	Specifications
Mounting	¼-20 Threaded Hole
Finish	Gold Chem Film
Weight	4.9 lbs
Edge Length	13.5"
Outline	AJ-S-13.5

Calculated Radar Cross Section and Relative Magnitude

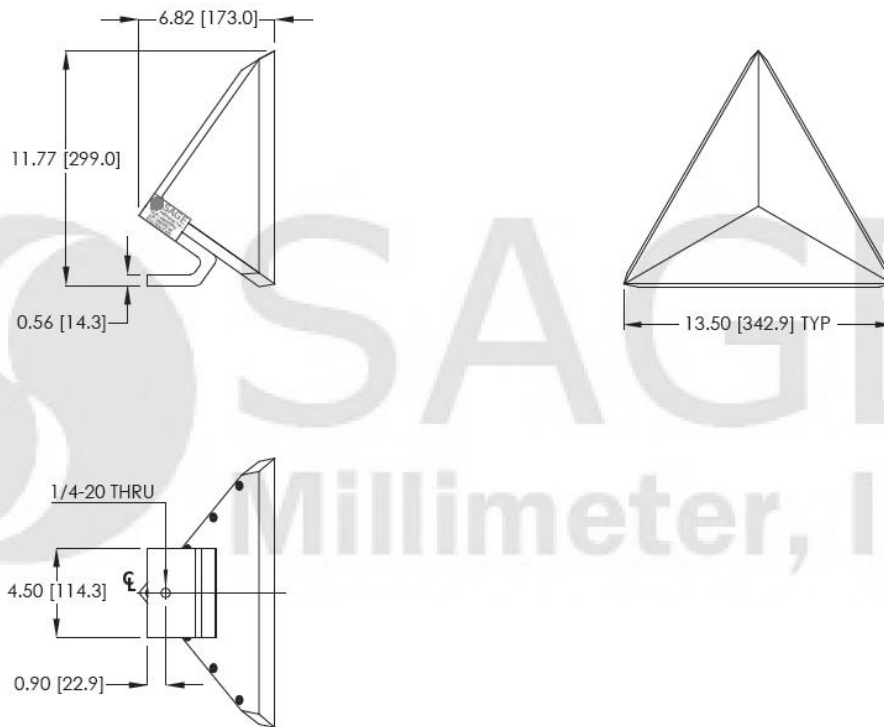


www.sagemillimeter.com | 3043 Kashiwa Street, Torrance, CA 90505
 Phone: 424-757-0168 | Fax: 424-757-0188 | Email: sales@sagemillimeter.com



Trihedral Corner Reflector, 13.5"

Mechanical Outline: (Unless otherwise specified, all dimensions are in inches [millimeters])



Note:

- All data presented is simulated. Actual data may vary.
- SAGE Millimeter, Inc. reserves the right to change the information presented without notice.

