



## WR-06 Pyramidal Horn Antenna, 25 dBi Gain

### Description:

**Model SAR-2507-06-S2** is a D-band pyramidal horn antenna that operates from 110 to 170 GHz. The antenna offers 25 dBi nominal gain and a typical half power beamwidth of 9 degrees on the E-plane and 10 degrees on the H-plane. The antenna supports linear polarized waveforms. The input of this antenna is a WR-06 waveguide with UG-387/U-M flange.



### Features:

- Rectangular Waveguide Interface
- Precisely Machined and Gold Plated
- Linear Polarization
- High Return Loss

### Applications:

- Antenna Ranges
- Antenna Gain Measurements
- System Setups

### Electrical Specifications:

Parameter	Minimum	Typical	Maximum
Frequency	110 GHz		170 GHz
Gain		25 dBi	
Polarization	Linear		
3 dB Beamwidth, E-Plane		9°	
3 dB Beamwidth, H-Plane		10°	
Side Lobes, E-Plane		14 dB	
Side Lobes, H-Plane		30 dB	
VSWR		1.15:1	

### Mechanical Specifications:

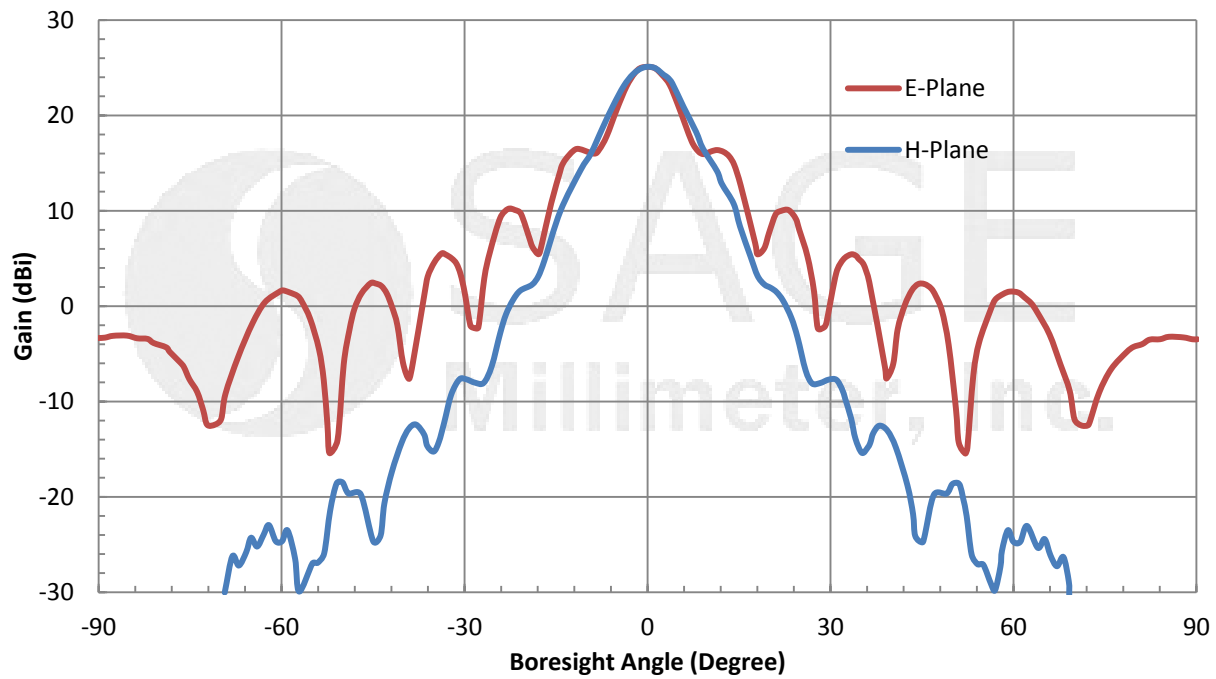
Item	Specification
Antenna Port	WR-06 Waveguide
Flange Type	UG-387/U-M Flange
Size	1.80" (L) X 0.73" (W) X 0.60" (H)
Material	Brass
Finish	Gold Plated
Weight	0.7 Oz
Outline	AR-D3



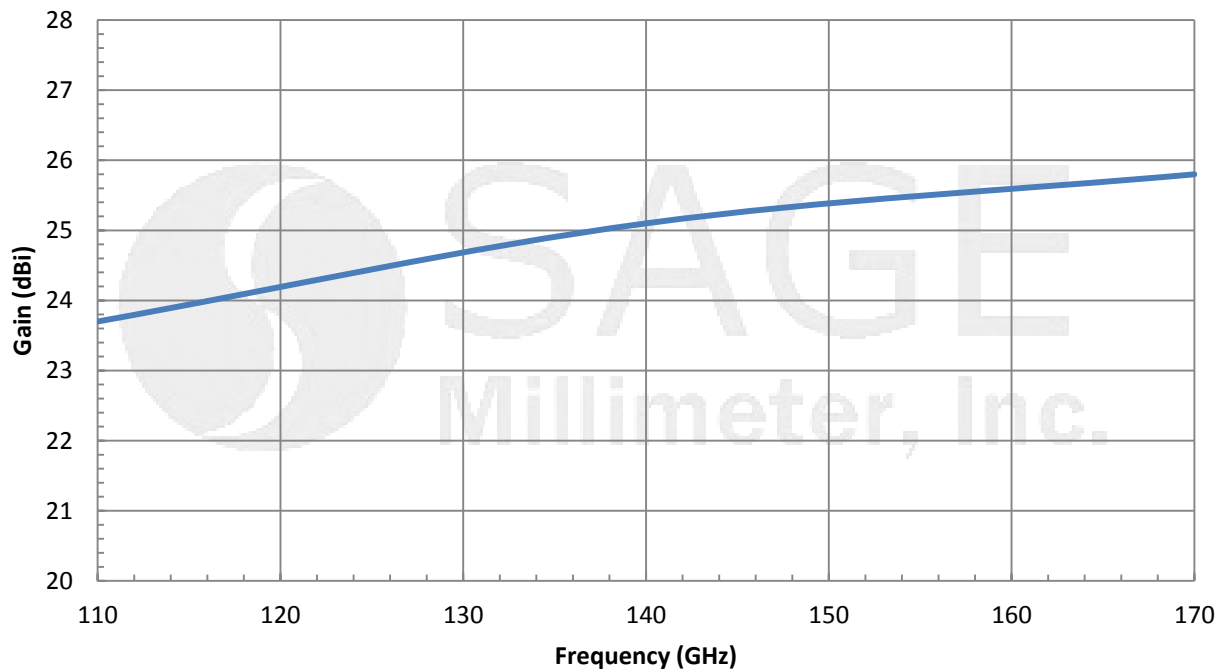


## WR-06 Pyramidal Horn Antenna, 25 dBi Gain

### Typical Antenna Patterns @ 140 GHz

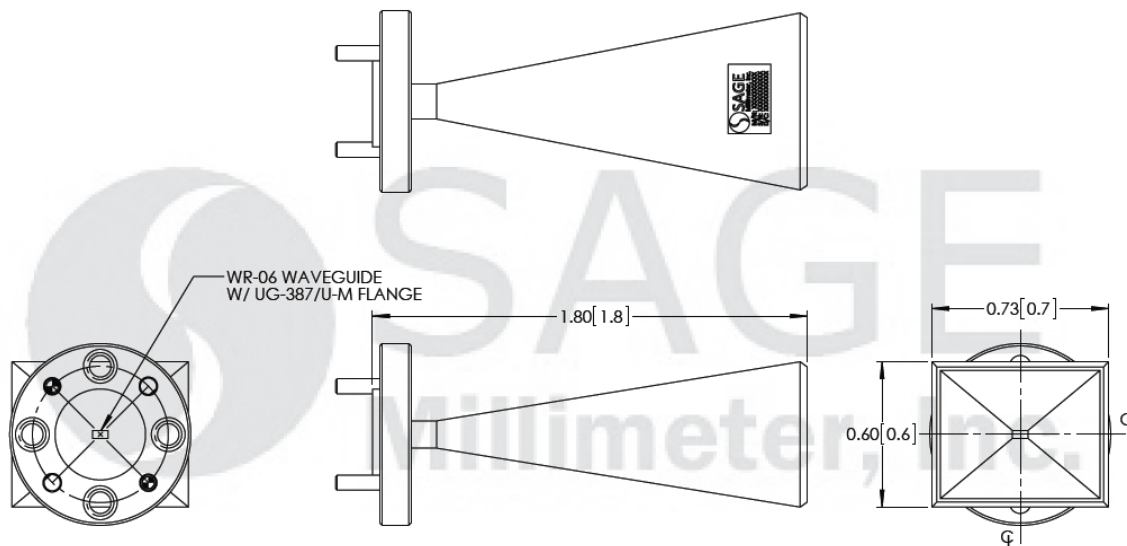


### Typical Gain vs. Frequency



## WR-06 Pyramidal Horn Antenna, 25 dBi Gain

**Mechanical Outline:** (Unless otherwise specified, all dimensions are in inches [millimeters])



**Note:**

- All data presented are simulated. Actual data may vary unit to unit.
- SAGE Millimeter, Inc. reserves the right to change the information presented without notice.

**Caution:**

- Any foreign objects in the waveguide will cause performance degradation and possible device damage.

