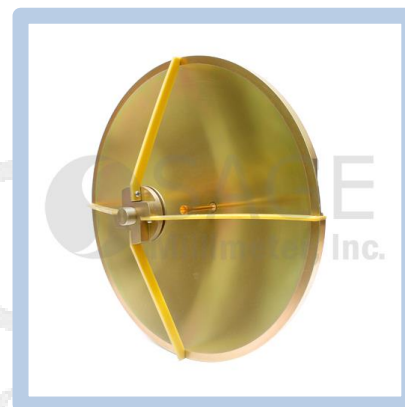




W Band Cassegrain Antenna, 12" Dish, 92 to 96 GHz

Descriptions:

Model SAY-9239634507-094-H1 is a Cassegrain antenna that offers a nominal gain of 45 dB and a half power beamwidth of 0.7 degrees typically across the frequency range of 92 to 96 GHz. The main reflector is fabricated with aluminum to offer a light weight and rugged mechanical structure. The corrugated horn is used to provide the best feed efficiency and the most uniform illumination. The input port is a 0.094" diameter circular waveguide with a UG-387/U-M flange. The antenna can support both linear and circular polarized waveforms and is designed and manufactured for indoor and outdoor applications. By adding a mode transition, SAGE Millimeter model **SWT-10094-SB**, the input port becomes a standard WR-10 waveguide that can only support linear polarized waveforms.



Features:

- Rugged Configuration and Low Profile
- Low Loss and High Gain
- High Return Loss

Applications:

- Communication Systems
- Radar Systems
- EW Systems

Electrical Specifications:

Parameter	Minimum	Typical	Maximum
Frequency*	92 GHz		96 GHz
Gain		45 dBi	
3 dB Beamwidth		0.7°	
Sidelobes		-15 dB	
Return Loss		14 dB	
Specification Temperature		+25 °C	
Operating Temperature	-40 °C		+85 °C

*The antenna will cover a broader frequency range with some performance degradations.

Mechanical Specifications:

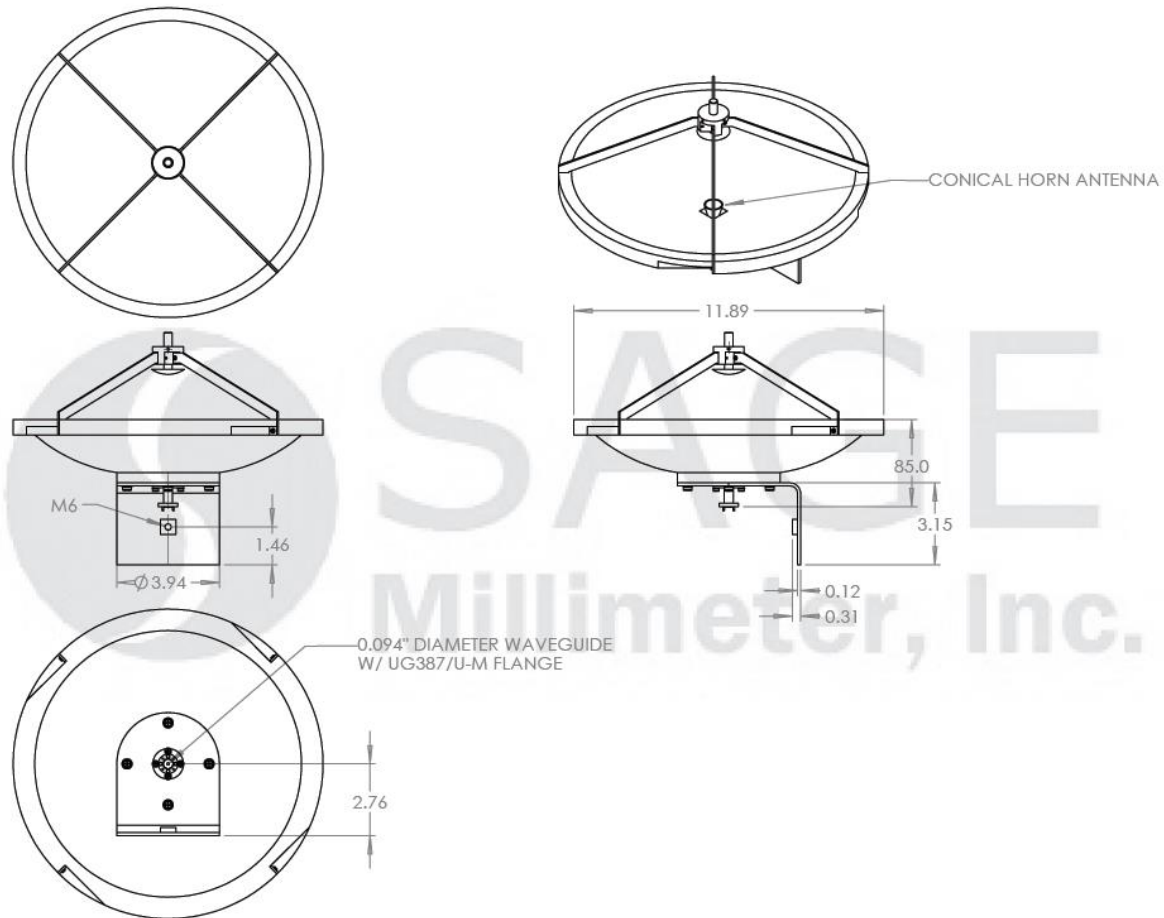
Item	Specification
RF Port	0.094" Diameter Circular Waveguide with UG-387/U-M Flange
Reflector Diameter	12.0"
Reflector Material	Aluminum
Finish	Chem Film
Weight	60 oz
Outline	AY-CW-12





W Band Cassegrain Antenna, 12" Dish, 92 to 96 GHz

Mechanical Outline: (Unless otherwise specified, all dimensions are in inches)



Note:

- SAGE Millimeter, Inc. reserves the right to change the information presented without notice.

Caution:

- Any foreign objects in the antenna will cause performance degradation and possible device damage.

