



V-Band Low Noise Amplifier, 54 to 66 GHz, 20 dB Gain, 6.0 dB NF

Description:

Model SBL-5436632060-1515-E1 is a low noise amplifier with a nominal small signal gain of 20 dB and a nominal noise figure of 6 dB across the frequency range of 54 to 66 GHz. The DC power requirement for the amplifier is +8 V_{DC}/100 mA. The mechanical configuration offers an in line structure with WR-15 waveguides and UG-385/U anti-cocking flanges. Other port configurations, such as with 1 mm connectors or a right angle structure with WR-15 waveguides, are also available under different model numbers.



Features:

- Moderate Gain
- Moderate Noise Figure
- Moderate Power

Applications:

- Low Noise Receivers
- Communication Systems
- Test Equipment

Electrical Specifications:

Parameter	Minimum	Typical	Maximum
Frequency	54 GHz		66 GHz
Gain		20 dB	
Noise Figure		6 dB	
P _{1dB}		+10 dBm	
P _{in}			+10 dBm
Input Return Loss		6 dB	
Output Return Loss		6 dB	
DC Voltage	+6 V _{DC}	+8 V _{DC}	+15 V _{DC}
DC Supply Current		100 mA	
Specification Temperature		+25 °C	
Case Temperature	0 °C		+50 °C

Mechanical Specifications:

Item	Specification
Input Port	WR-15 Waveguide with UG-385/U Anti-Cocking Flange
Output Port	WR-15 Waveguide with UG-385/U Anti-Cocking Flange
Bias	Solder Pin
Case Material	Aluminum
Finish	Gold Plated
Weight	1.6 Oz
Size	1.10" (W) 1.50" (L) X 0.75" (H)
Outline	BG-SV-2-A

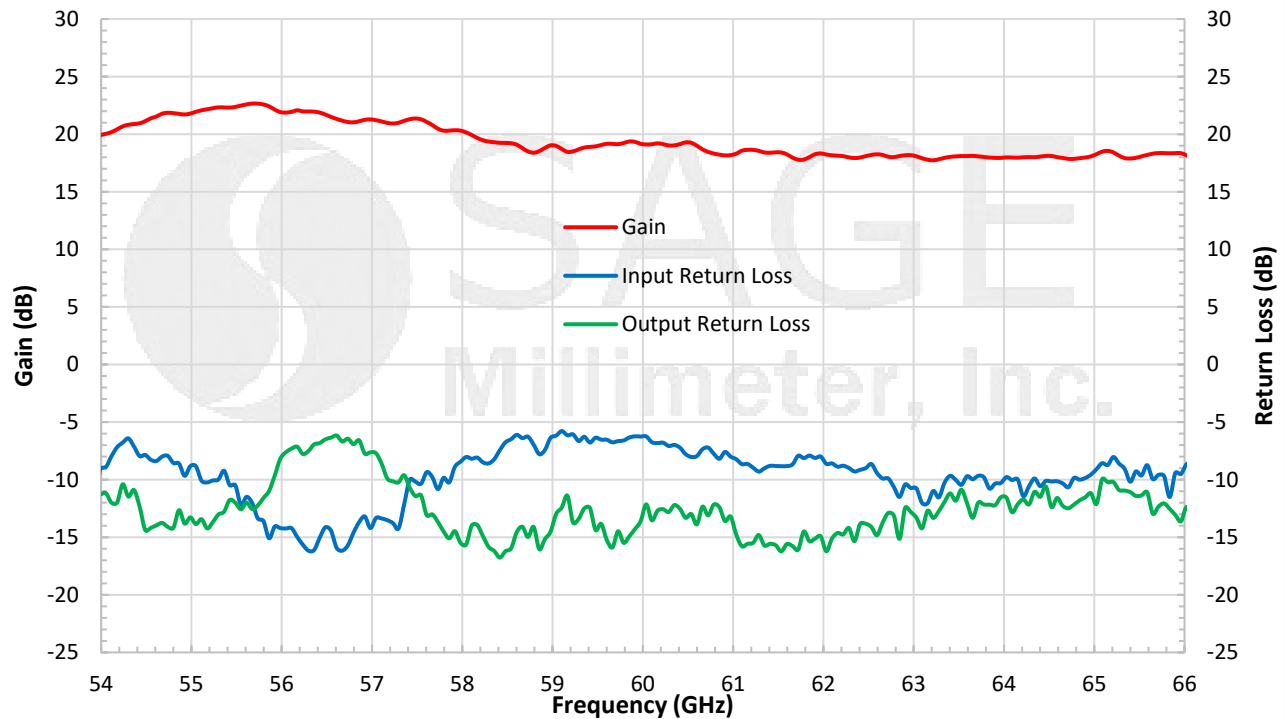




V-Band Low Noise Amplifier, 54 to 66 GHz, 20 dB Gain, 6.0 dB NF

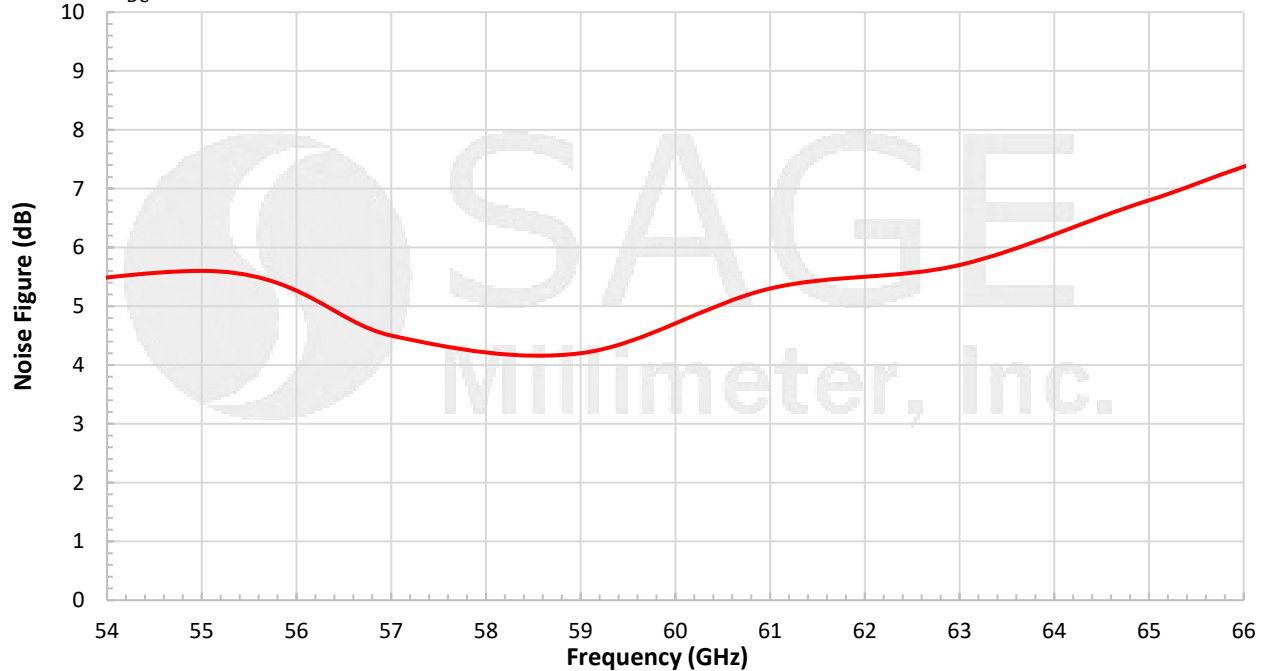
Typical Gain and Return Loss vs. Frequency

Bias: +8 V_{DC}/100 mA



Typical Noise Figure vs. Frequency

Bias: +8 V_{DC}/100 mA

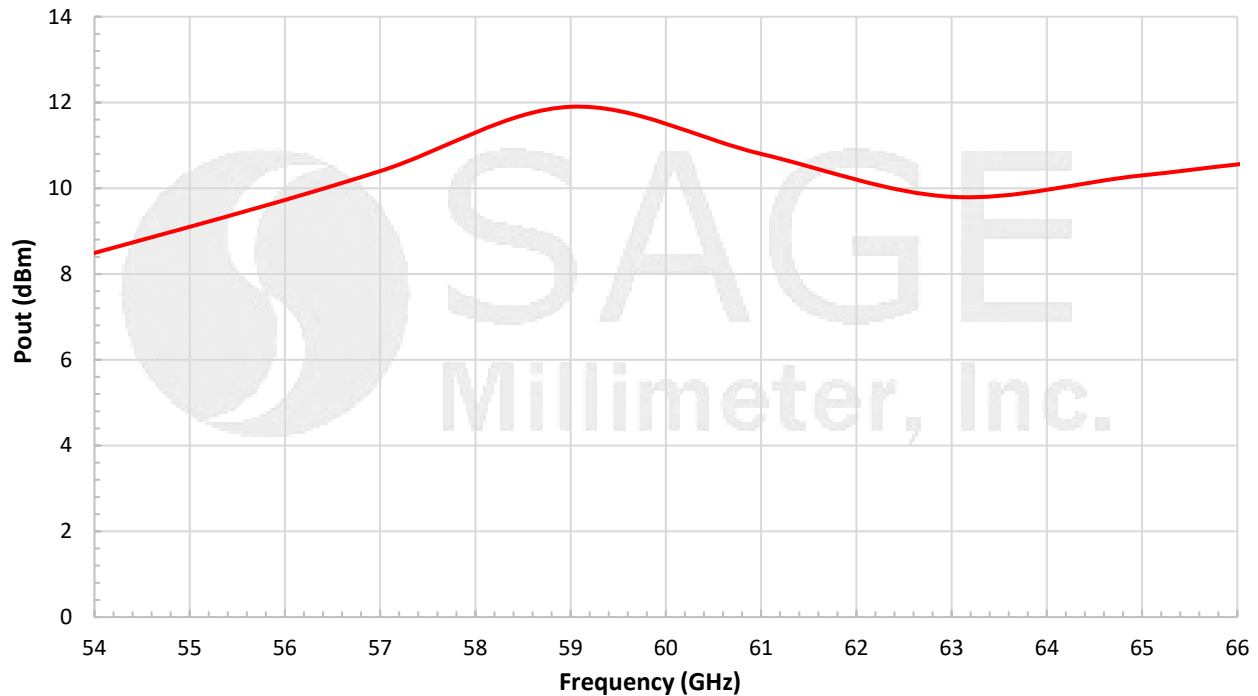




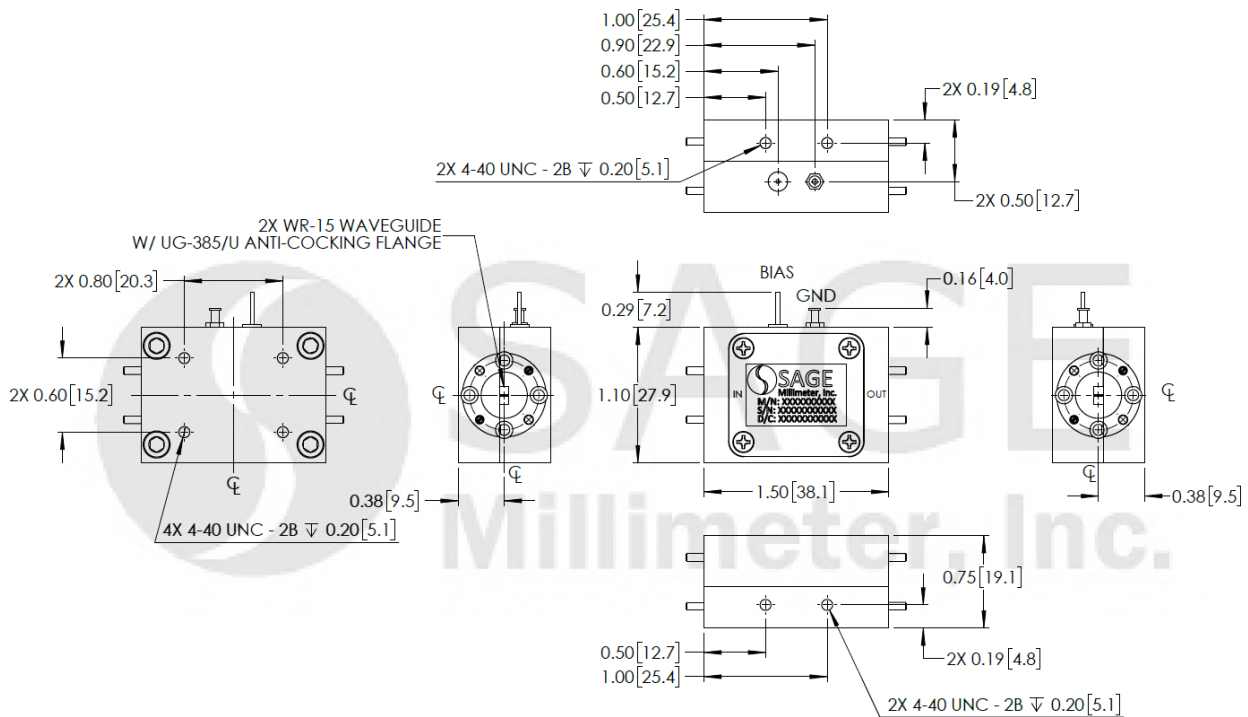
V-Band Low Noise Amplifier, 54 to 66 GHz, 20 dB Gain, 6.0 dB NF

Typical Output Power vs. Frequency

Bias: +8 V_{DC}/100 mA



Mechanical Outline: (Unless otherwise specified, all dimensions are in inches [millimeters])



V-Band Low Noise Amplifier, 54 to 66 GHz, 20 dB Gain, 6.0 dB NF

Note:

- All data presented is collected from a sample lot. Actual data may vary unit to unit.
- All testing was performed under +25°C case temperature.
- SAGE Millimeter, Inc. reserves the right to change the information presented without notice.
- Other mechanical configurations are available under different model numbers.

Caution:

- Exceeding absolute maximum ratings shown will damage the device.
- The device is static sensitive. Always follow ESD rules when working with the device.
- The case temperature of the device shall never exceed +50°C. Use proper heatsink or fan if necessary.

