



Coaxial Bandpass Filter, 30 to 40 GHz, 40 dB Rejection

Description:

Model **SCF-35310340-KFKM-B3** is a coaxial bandpass filter with passband frequencies from 30 to 40 and a rejection frequency from 26 to 29.5 GHz and 41.5 GHz and higher. The filter provides a maximum insertion loss of 4.0 dB across its passband and a typical rejection of 40 dB.



Electrical Specifications:

Parameter	Minimum	Typical	Maximum
Passband Frequency	33.5 GHz		36.5 GHz
Passband Insertion Loss		3.0 dB	
Rejection Frequency, Low Side	26		29.5 GHz
Rejection, Low Side		40 dB	
Rejection Frequency, High Side	41.5 GHz		
Rejection, High Side		40 dB	
Passband Return Loss		10 dB	
Impedance		50 Ω	
Power Handling			1 W (CW)
Specification Temperature		+25 °C	
Operating Temperature	-40 °C		+85 °C

Mechanical Specifications:

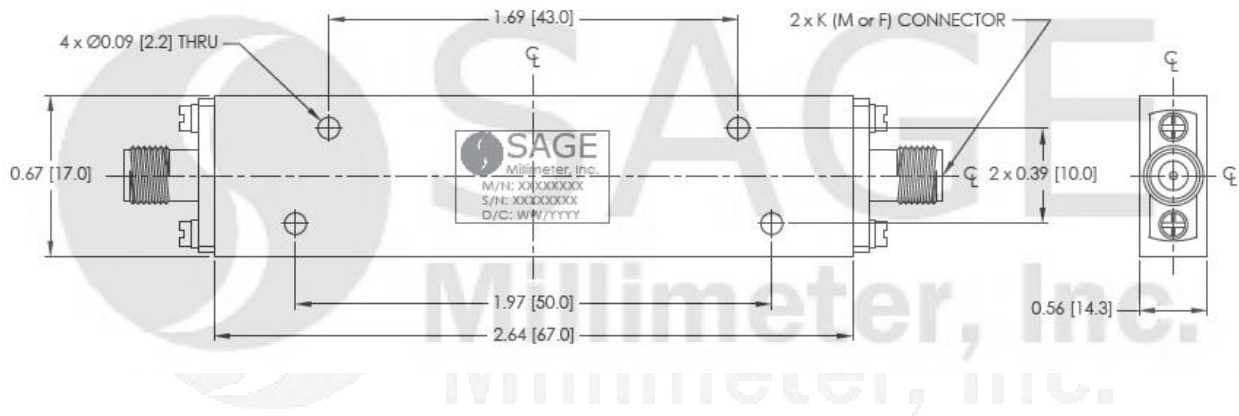
Item	Specifications
RF Port 1	K(F)
RF Port 2	K(F)
Material	Aluminum
Finishing	Black Painted
Weight	1.6 Oz
Size	2.64" (L) x 0.67" (W) x 0.56" (H)
Outline	CF-BA-LJ6





Coaxial Bandpass Filter, 30 to 40 GHz, 40 dB Rejection

Mechanical Outline: (Unless otherwise specified, all dimensions are in inches [millimeters])



Note:

- SAGE Millimeter, Inc. reserves the right to change the information presented without notice.

Caution:

- Proper torque, 8.0 ± 0.15 inch-pounds (0.90 ± 0.02 Nm), should be applied. **SAGE Millimeter torque wrench, model SCH-08008-U3, is highly recommended.**

