



## 3.5 mm (F) to 2.4 mm (M) Coaxial Adapter

### Description:

**Model SCT-3F2M-U2** is a 3.5 mm female to 2.4 mm male coaxial adapter that covers the frequency range of DC to 27 GHz. This coaxial adapter offers efficient transitioning between the coaxial connectors with a low insertion loss and typical 20 dB return loss. The impedance of the adapter is 50 Ohms. Other configurations, such in series, female to female or out series, are available under different model numbers.



### Features:

- Instrumentation Grade
- High Return Loss
- Low Insertion Loss

### Applications:

- Test Lab
- Sub-assemblies

### Electrical Specifications:

Parameter	Minimum	Typical	Maximum
Frequency	DC		27 GHz
Return Loss		23 dB	
Impedance		50 Ω	
Specification Temperature		+25 °C	
Operating Temperature	-40 °C		+85 °C

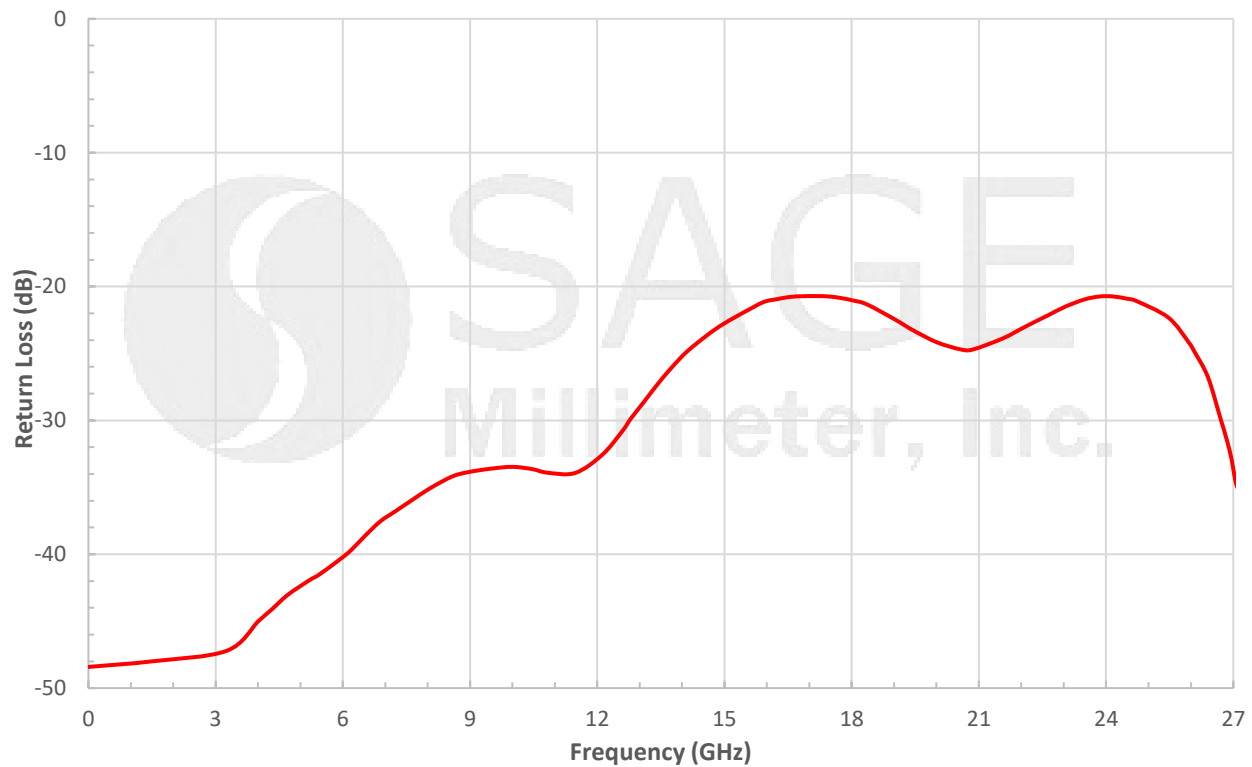
### Mechanical Specifications:

Item	Specification
Connector 1 Type	3.5 mm Female
Connector 2 Type	2.4 mm Male
Material	Stainless Steel
Finish	Passivated
Weight	0.2 Oz
Length	0.78"
Outline	CT-3F2M-2

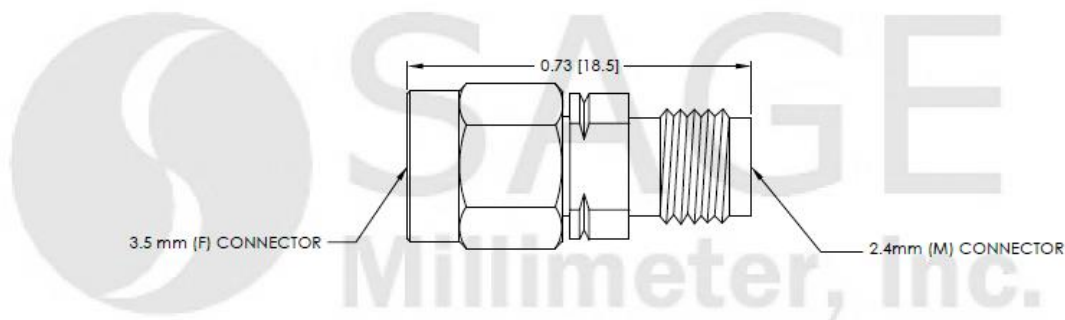


## 3.5 mm (F) to 2.4 mm (M) Coaxial Adapter

### Typical Return Loss vs. Frequency



### Mechanical Outline: (Unless otherwise specified, all dimensions are in inches [millimeters])



#### Note:

- All data presented is collected from a sample lot. Actual data may vary unit to unit.
- All testing was performed under +25°C case temperature.
- SAGE Millimeter, Inc. reserves the right to change the information presented without notice.

#### Caution:

- Proper torque,  $8.0 \pm 0.15$  inch-pounds ( $0.90 \pm 0.02$  Nm), should be applied. **SAGE Millimeter torque wrench, model SCH-08008-U3, is highly recommended.**



www.sagemillimeter.com | 3043 Kashiwa Street, Torrance, CA 90505  
 Phone: 424-757-0168 | Fax: 424-757-0188 | Email: sales@sagemillimeter.com