



2.92 mm (F) to 2.92 mm (F) Coaxial Adapter, 4 Hole Panel Mount

Description:

Model SCT-KFKF-U8-PM4 is a 2.92 mm (K) female to 2.92 mm (K) female coaxial adapter with a 4 hole panel mount that covers the frequency range of DC to 40 GHz. This coaxial adapter offers efficient transitioning between the coaxial connectors with a high return loss and typical insertion loss of 0.4 dB. The impedance of the adapter is 50 ohms. Other configurations are available under different model numbers.



Features:

- Instrumentation Grade
- High Return Loss
- Low Insertion Loss

Applications:

- Test Lab
- Sub-assemblies

Electrical Specifications:

| Parameter | Minimum | Typical | Maximum |
|---------------------------|---------|---------|---------|
| Frequency | DC | | 40 GHz |
| Insertion Loss | | 0.4 dB | |
| Return Loss | | 20 dB | |
| Impedance | | 50 Ω | |
| Specification Temperature | | +25 °C | |
| Operating Temperature | -40 °C | | +85 °C |

Mechanical Specifications:

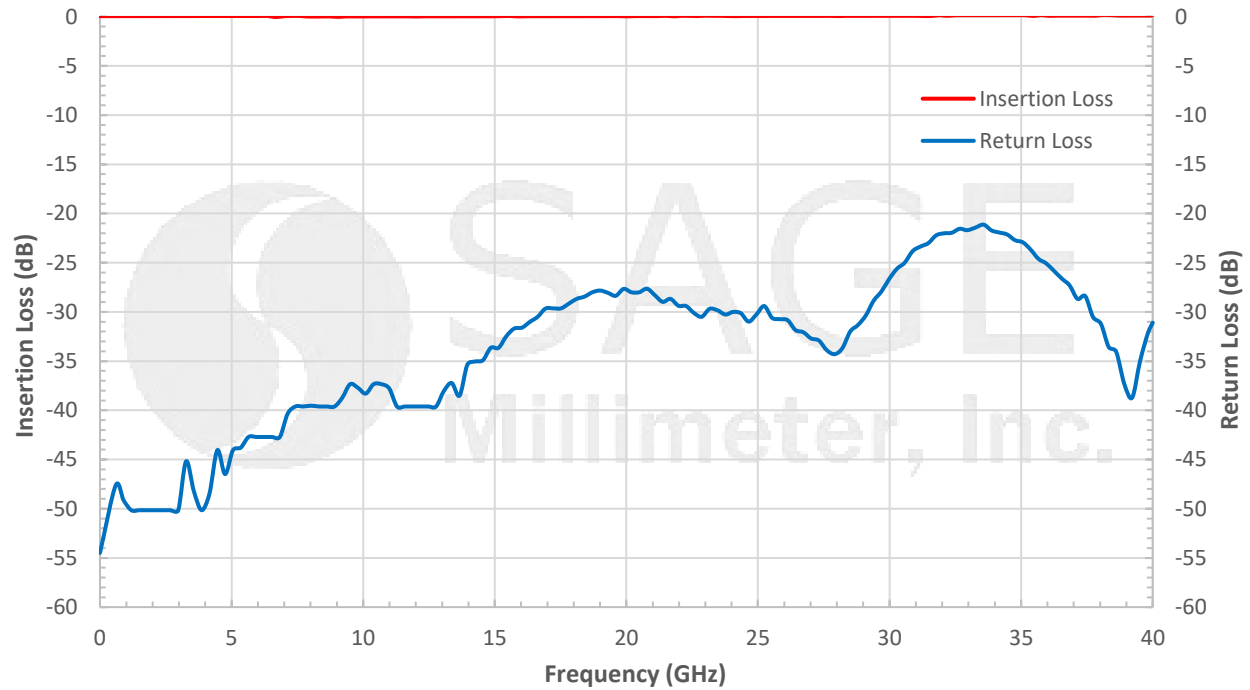
| Item | Specification |
|--------------------|--------------------|
| Connector 1 Type | 2.92 mm (K) Female |
| Connector 2 Type | 2.92 mm (K) Female |
| Body Material | Stainless Steel |
| Body Finish | Passivated |
| Contact Material | Beryllium Copper |
| Insulator Material | PEI |
| Adapter Body Style | 4 Hole Panel Mount |
| Weight | 0.2 Oz |
| Outline | CT-KFKF-PM4-SR1 |



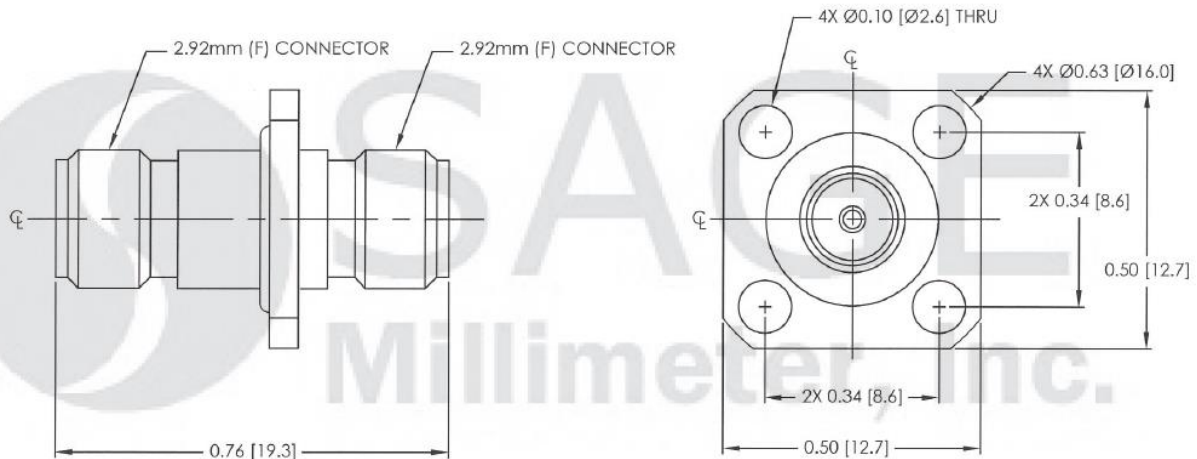


2.92 mm (F) to 2.92 mm (F) Coaxial Adapter, 4 Hole Panel Mount

Typical Performance vs. Frequency



Mechanical Outline: (Unless otherwise specified, all dimensions are in inches [millimeters])



Note:

- All data presented is collected from a sample lot. Actual data may vary unit to unit.
- All testing was performed under +25°C case temperature.
- SAGE Millimeter, Inc. reserves the right to change the information presented without notice.

Caution:

- Proper torque, 8.0 ± 0.15 inch-pounds (0.90 ± 0.02 Nm), should be applied. **SAGE Millimeter torque wrench, model SCH-08008-U3, is highly recommended.**

