



WR-12 Waveguide Cable, Flexible, 6" Long

Description:

Model SCW-1212006-F1 is a 6" long WR-12 waveguide cable. The frequency range of the waveguide cable is 60 to 90 GHz. The cable allows for varied orientations of waveguide to waveguide connections. The cable has a typical insertion loss of 3.5 dB and a nominal return loss of 20 dB. The cable is flexible with maximum bend radius of the cable is 0.50". Other lengths are offered under different model numbers.



Features:

- High Return Loss
- Low Insertion Loss
- Flexible

Applications:

- Test Lab
- Subassemblies

Electrical Specifications:

Parameter	Minimum	Typical	Maximum
Frequency Range	60 GHz		90 GHz
Insertion Loss		3.5 dB	
Return Loss		20 dB	
Power Handling			10 W (CW)
Specification Temperature		+25 °C	
Operation Temperature	-40 °C		+80 °C

Mechanical Specifications:

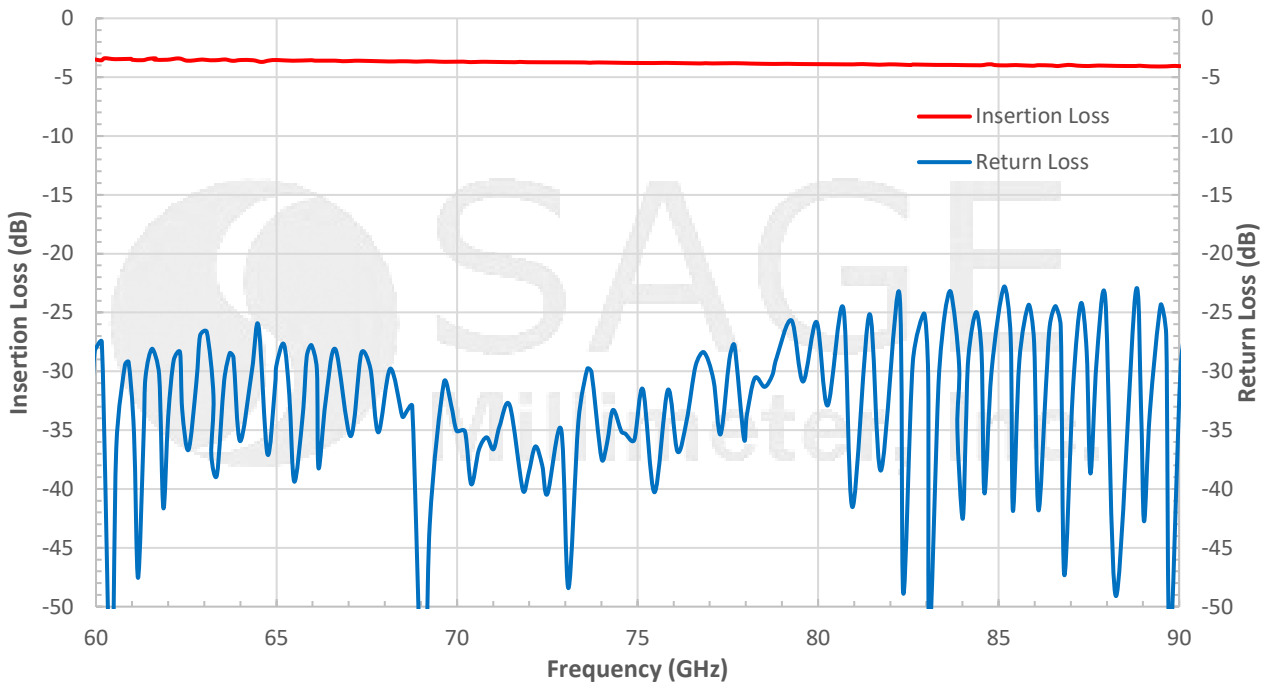
Item	Specification
Maximum Bending Radius	0.50"
Waveguides	WR-12 with UG387/U Flange
Waveguide Material and Finish	Gold Plated Aluminum
Cable Connectors	1 mm Male
Connector Material	Passivated Stainless Steel
Cable Material	Fluorinated Ethylene Propylene (FEP)
Cable Outer Diameter	0.058"
Length	6.0"
Weight	0.55 Oz
Outline	CW-RERE-FS-L



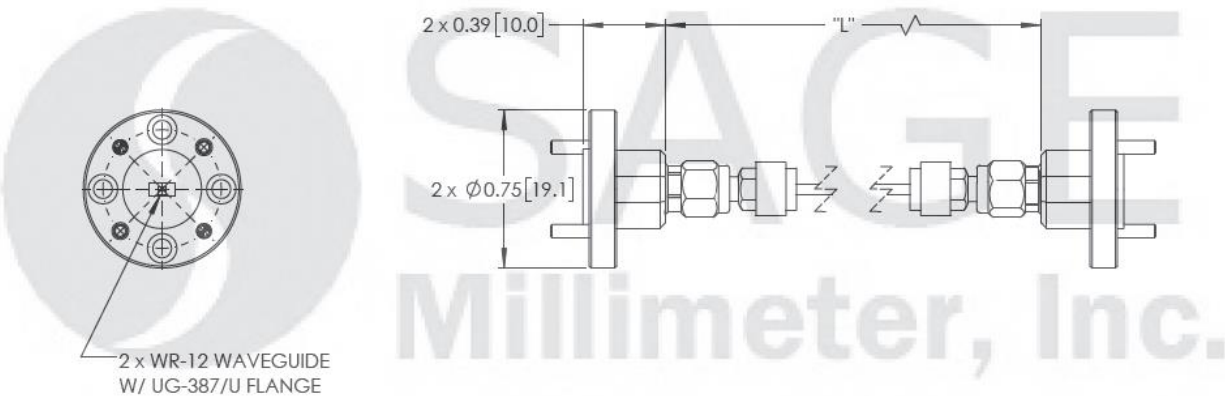


WR-12 Waveguide Cable, Flexible, 6" Long

Typical Performance vs. Frequency



Mechanical Outline: (Unless otherwise specified, all dimensions are in inches [millimeters])



Note:

- Length "L" can be customizable.
- All data presented is collected from a sample lot. Actual data may vary unit to unit.
- All testing was performed under +25°C case temperature.
- SAGE Millimeter, Inc. reserves the right to change the information presented without notice.

Caution:

- Exceeding absolute maximum ratings shown will damage the device.
- Any foreign objects in the waveguide will cause performance degradation and possible device damage.
- Proper torque, 4.0 ± 0.15 inch-pounds (0.45 ± 0.02 Nm), should be used. **SAGE Millimeter torque wrench, model SCH-06004-S1, is highly recommended.**



www.sagemillimeter.com | 3043 Kashiwa Street, Torrance, CA 90505
 Phone: 424-757-0168 | Fax: 424-757-0188 | Email: sales@sagemillimeter.com