



E-Band, X4 Active Frequency Multiplier, 71 to 86 GHz, +15 dBm P_{out}

Description:

Model SFA-713863415-12SF-S1 is an active X4 frequency multiplier. The multiplier has an input frequency of 17.75 to 21.50 GHz with a typical input power of +5 dBm and an output frequency of 71 to 86 GHz with a nominal output power of +15 dBm. The multiplier also has a typical harmonic suppression of -20 dBc. The DC power requirement for the multiplier is +8 V_{DC}/500 mA. The input port configuration is a female K connector and the output is a WR-12 waveguide with a UG-387/U anti-cocking flange. Other port configurations are available under different model numbers.



Features:

- Broadband Coverage
- Low Harmonic Components

Applications:

- Frequency Extenders
- Source Modules
- Communication Systems

Electrical Specifications:

Parameter	Minimum	Typical	Maximum
Input Frequency	17.75 GHz		21.50 GHz
Input Power		+5 dBm	
Output Frequency	71.00 GHz		86.00 GHz
Output Power		+15 dBm	
Harmonic Suppression		-20 dBc	
Spurious		-60 dBc	
DC Voltage		+8 V _{DC}	
DC Supply Current		500 mA	
Specification Temperature		+25 °C	
Case Temperature	0 °C		+50 °C

Mechanical Specifications:

Item	Specification
Input Port	K(F)
Output Port	WR-12 Waveguide with UG-387/U Anti-Cocking Flange
Bias	Solder Pin
Case Material	Aluminum
Finish	Gold Plated
Weight	1.4 Oz
Size	1.10" (W) x 1.80" (L) x 0.50" (H)
Outline	FA-SE-1-A-1.8

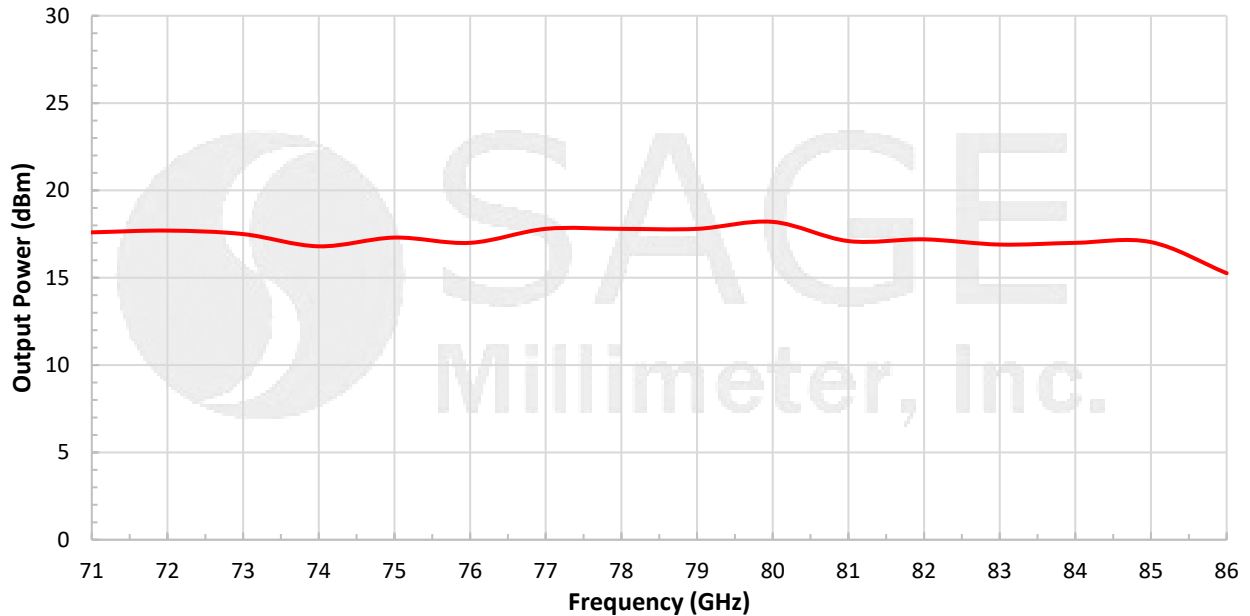




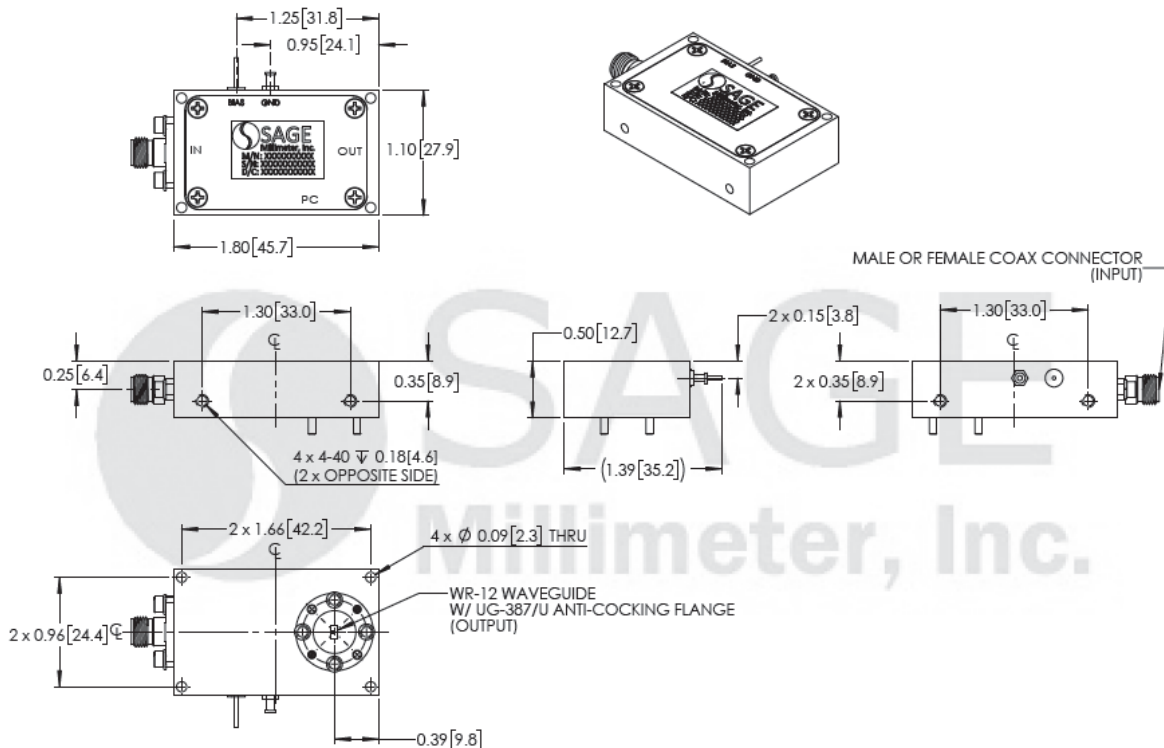
E-Band, X4 Active Frequency Multiplier, 71 to 86 GHz, +15 dBm P_{out}

Typical Performance vs. Output Frequency

Input Power: +5 dBm; Bias: +8 V_{DC}/500 mA



Mechanical Outline: (Unless otherwise specified, all dimensions are in inches [millimeters])



E-Band, X4 Active Frequency Multiplier, 71 to 86 GHz, +15 dBm P_{out}

Note:

- All data presented is collected from a sample lot. Actual data may vary unit to unit, slightly.
- All testing was performed under +25°C case temperature.
- SAGE Millimeter, Inc. reserves the right to change the information presented without notice.
- Other mechanical configurations are available under different model number.

Caution:

- Exceeding absolute maximum ratings shown will damage the device.
- The device is static sensitive. Always follow ESD rules when working with the device.
- The case temperature of the device shall never exceed +50°C. Use proper heatsink or fan if necessary.
- Any foreign objects in the waveguide will cause performance degradation and may damage the device.
- Proper torque, 8.0 ± 0.15 inch-pounds (0.92 ± 0.05 Nm), should be applied. **SAGE Millimeter torque wrench, model SCH-08008-S1, is highly recommended.**

