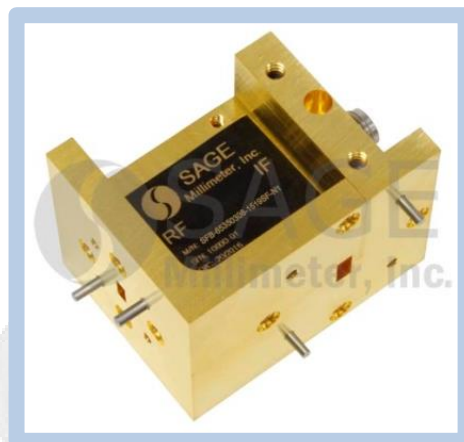




V Band Balanced Mixer with U band LO Port

Description:

Model SFB-50375308-1519KF-N1 is a V-band balanced mixer with U band LO port that utilizes high performance GaAs Schottky beam-lead diodes and a balanced circuit configuration to offer superior RF performance. With an RF frequency of 50 to 75 GHz and an LO frequency of 40 to 60 GHz, the mixer supports the full waveguide band operation for both ports. The mixer also offers an extremely broad IF bandwidth from DC to 35 GHz, a conversion loss of 8 dB typical and a high RF to LO port isolation of 30 dB, respectively. The RF port is the mixer is a WR-15 waveguide with UG385/U flange and LO port is WR-19 waveguide with UG-383/U-M flange to accommodate low LO frequency operation.



Features:

- Full Waveguide Band Coverage
- Low Conversion Loss
- High IF Frequency up to 35 GHz

Applications:

- IEEE 802.11ab WiGig
- Radar Systems
- Communication Systems
- Test Equipment

Electrical Specifications:

Parameter	Minimum	Typical	Maximum
RF Frequency	50 GHz		75 GHz
LO Frequency	40 GHz		60 GHz
IF Frequency	DC		35 GHz
LO Pumping Power		+13 dBm	
Conversion Loss		8 dB	
RF to LO Isolation		30 dB	
Combined RF and LO Power			+18 dBm
Specification Temperature		+25 °C	
Operation Temperature	0 °C		+50°C

Mechanical Specifications:

Item	Specification
RF	WR-15 Waveguide with UG-385/U Flange
LO	WR-19 Waveguide with UG-383/U-M Flange
IF	K(F)
Case Material	Aluminum
Finish	Gold Plated
Weight	1.8 Oz
Outline	FB-NVU

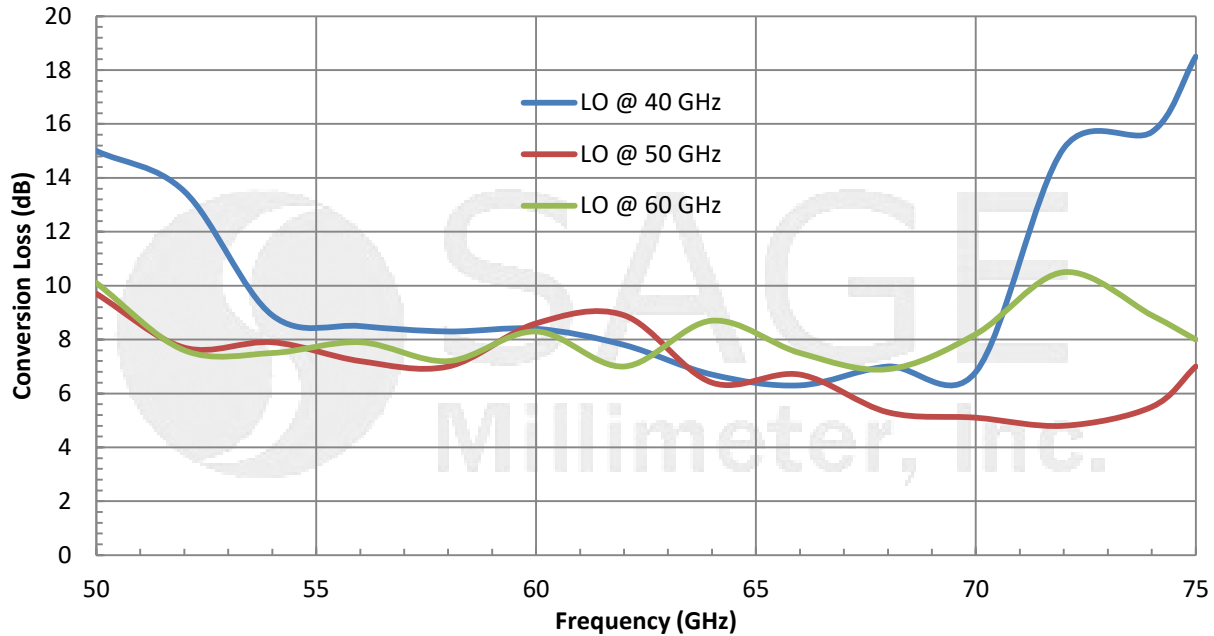




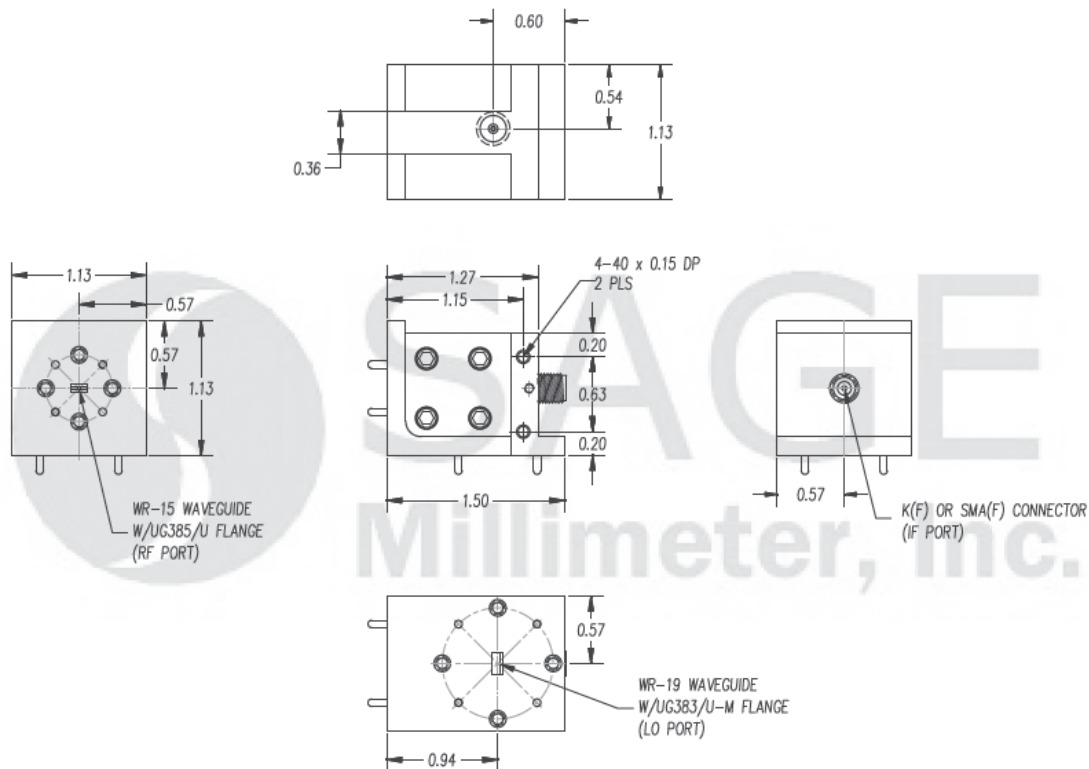
V Band Balanced Mixer with U band LO Port

Typical Conversion Loss vs. Frequency

LO: 13 dBm; RF: -20 dBm



Mechanical Outline: (Unless otherwise specified, all dimensions are in inches)





V Band Balanced Mixer with U band LO Port

Note:

- All data presented is collected from a sample lot. Actual data may vary unit to unit.
- All testing was performed under +25 °C case temperature.
- SAGE Millimeter, Inc. reserves the right to change the information presented without notice.

Caution:

- Exceeding absolute maximum ratings shown will damage the device.
- The device is static sensitive. Always follow ESD rules when working with the device.
- The IF port of the mixer is DC coupled. Use a DC block when connecting to other devices. **Do not apply an external bias voltage to the IF port.**
- Any foreign objects in the waveguide will cause performance degradation and possible device damage.
- Proper torque, 8.0 ± 0.15 inch-pounds (0.92 ± 0.05 Nm), should be applied. **SAGE Millimeter torque wrench, model SCH-08008-S1, is highly recommended.**

