



U-Band Quadrature Mixer or Phase Detector, 40 to 51 GHz

Description:

Model SFQ-49351311-1919SF-N1 is a U Band quadrature mixer that covers the frequency range of 40 to 51 GHz. The typical conversion loss of the quadrature mixer is 9 dB with an LO driving power of +16 dBm. The typical LO to RF port isolation is 30 dB. Since the IF port of the quadrature mixer is DC coupled, the mixer can be used as a phase detector. In addition, the mixer can be readily configured into an image rejection mixer or single sideband modulator by adding an IF quadrature coupler.



Features:

- Compact Package
- Low Conversion Loss
- High Port Isolations
- IF Port DC Coupled for Phase Detection

Applications:

- Phase Detection
- Speed and Ranging Radar Systems
- Communication Systems
- Test Equipment

Electrical Specifications:

Parameter	Minimum	Typical	Maximum
RF Frequency	40 GHz		51 GHz
LO Frequency	40 GHz		51 GHz
LO Pumping Power		+16 dBm	+19 dBm
IF Frequency	DC	1.0 GHz	2.0 GHz
Conversion Loss		9 dB	13 dB
I/Q Phase Unbalance		±15°	
I/Q Amplitude Unbalance		±1.0 dB	
LO to RF Port Isolation	20 dB	30 dB	
Combined RF & LO Power			+23 dBm
Specification Temperature		+25 °C	
Operating Temperature	0 °C		+50 °C

Mechanical Specifications:

Item	Specification
RF Port	WR-19 Waveguide with UG-383/U-M Flange
LO Port	WR-19 Waveguide with UG-383/U-M Flange
IF-I Port	SMA(F)
IF-Q Port	SMA(F)
Case Material	Aluminum
Finish	Gold Plated
Weight	3.3 Oz
Outline	FQ-U1

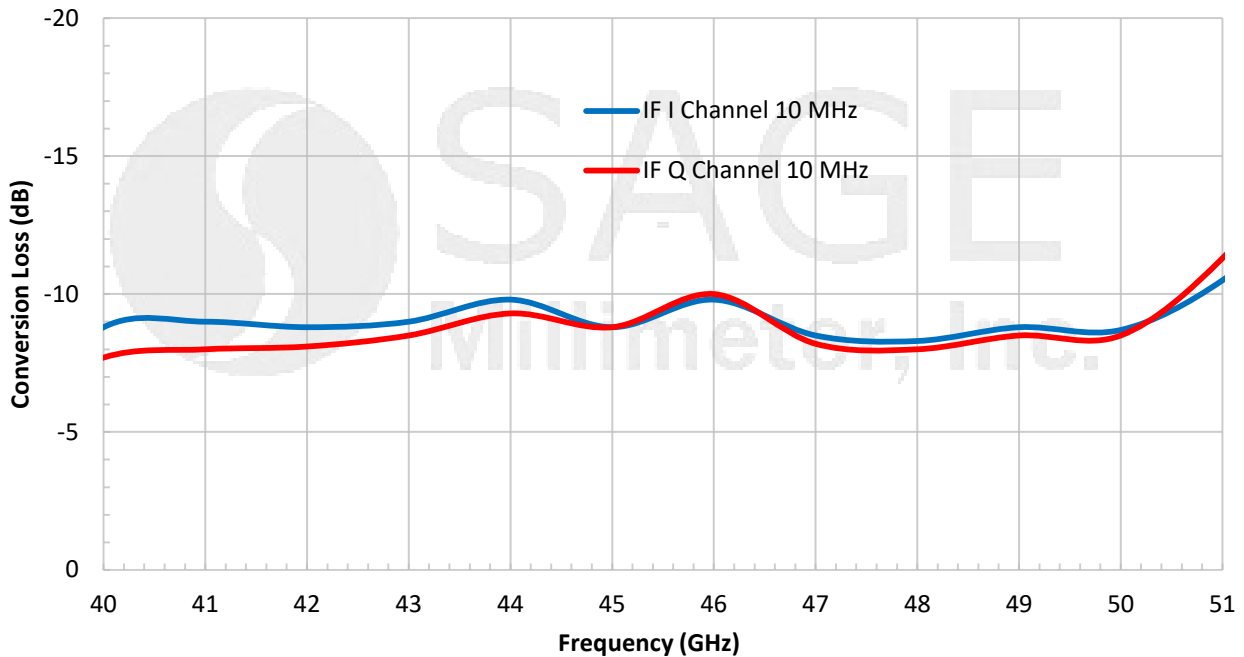




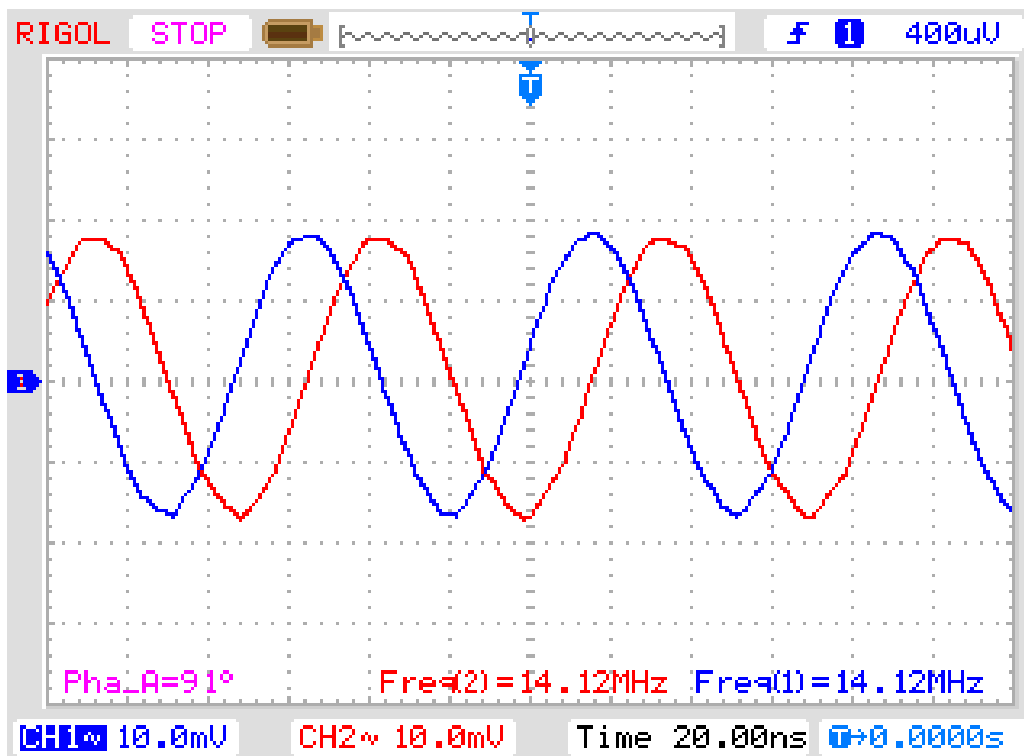
U-Band Quadrature Mixer or Phase Detector, 40 to 51 GHz

Typical Conversion Loss vs. Frequency

Pin: +16 dBm



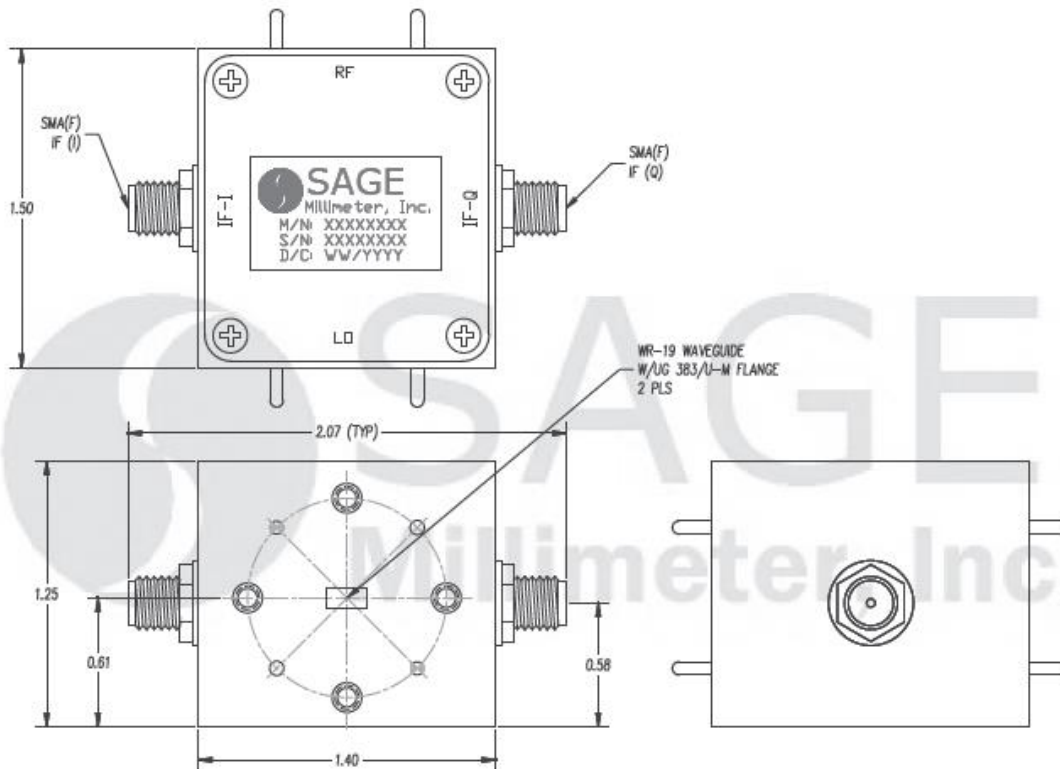
Typical I/Q Channel Balance





U-Band Quadrature Mixer or Phase Detector, 40 to 51 GHz

Mechanical Outline: (Unless otherwise specified, all dimensions are in inches)



Note:

- The I/Q mixer can be configured as an image rejection mixer or used as an I/Q up-converter, single sideband modulator and phase detector.
- SAGE Millimeter, Inc. reserves the right to change the information presented without notice.

Caution:

- Exceeding absolute maximum ratings will damage the device.
- The mixer is a static sensitive device. Always follow ESD rules when working with the device.
- The IF ports are DC coupled. Use DC blocks if necessary. **Do not apply an external bias voltage to the IF port.**
- Proper torque, 8.0 ± 0.15 inch-pounds (0.92 ± 0.05 Nm), should be applied. **SAGE Millimeter torque wrench, model SCH-08008-S1, is highly recommended.**
- Any foreign objects in the waveguide will cause performance degradation and possible device damage.

