



Q-Band Mechanically Tuned Gunn Oscillator, ±2.0 GHz Tuning Bandwidth

Description:

Model SOM-46304316-22-S1 is a Q-band, mechanically tuned Gunn oscillator that utilizes a high performance GaAs Gunn diode and proprietary cavity design to deliver +16 dBm typical power. The oscillator features a frequency tuning range of 44 to 48 GHz and delivers low AM/FM noise and harmonic emissions. Compared to its counterparts, such as multiplier-based sources, the Gunn oscillator is a lower cost and cleaner source. The Gunn oscillator's frequency can also be tuned by varying the bias voltage, which is useful for phase-locking and electrical-tuning applications. The Gunn oscillator is equipped with a self-locking set screw for frequency trimming. Models with a micrometer for lab and test bench applications are available under a different model number. The performance of the oscillator can be further enhanced by adding an optional isolator, Gunn oscillator modulator/regulator and temperature heater.



Features:

- Low AM/FM Noise and Harmonics
- Bias Tunable

Applications:

- Test Sources
- Signal Generation
- Lab Test Setups

Electrical Specifications:

Parameter	Minimum	Typical	Maximum
Center Frequency	44.0 GHz	46.0 GHz	48.0 GHz
Power Output		+16 dBm	
Mechanical Tuning Range		±2 GHz	
Bias Tuning Range		±10 MHz	
Bias Voltage		+3.5 V _{DC}	+5.0 V _{DC}
Bias Current		800 mA	
Specification Temperature		+25°C	
Operating Temperature	0°C		+50°C

Mechanical Specifications:

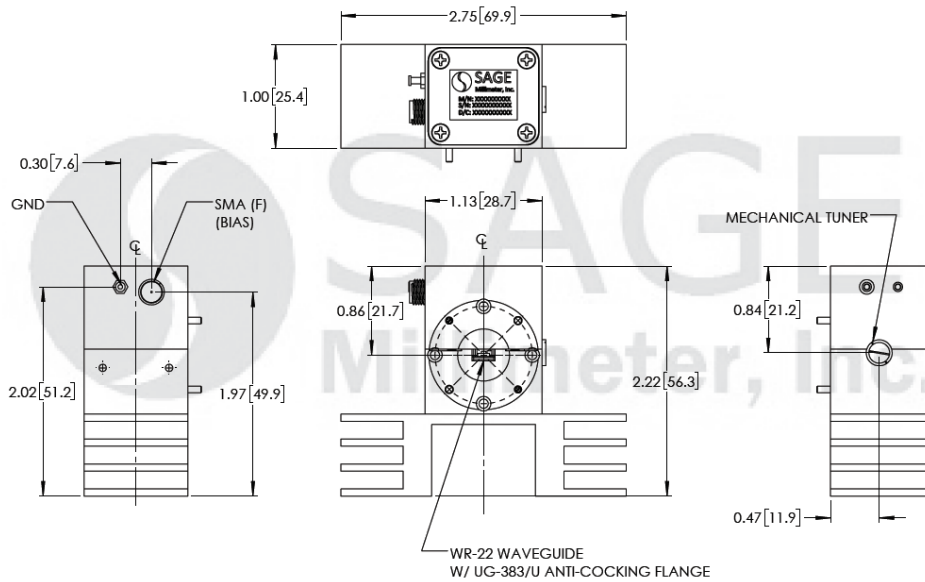
Item	Specification
RF Port	WR-22 Waveguide with UG-383/U Anti-Cocking Flange
Bias Port	SMA (F)
Mechanical Tuning	Self-Locking Set Screw
Body Material	Aluminum
Finish	Gold Plated
Weight	3.0 Oz
Outline	OM-SQ-A-C





Q-Band Mechanically Tuned Gunn Oscillator, ± 2.0 GHz Tuning Bandwidth

Mechanical Outline: (Unless otherwise specified, all dimensions are in inches [millimeters])



Note:

- All data presented is collected from a sample lot. Actual data may vary unit to unit.
- The data given above was tested under case temperature **+35 °C**.
- The SAGE Millimeter Gunn oscillator regulator **SOR-R3** is highly recommended for over voltage and reverse bias protection. The outline of the model SOR-R3 is shown in below.
- The bias tuning feature can be used for electrical tuning and phase lock loop applications.
- SAGE Millimeter, Inc. reserves the right to change the information presented without notice.

Caution:

- Reversing polarity will destroy the device.
- Bias voltage should never exceed **+5.0 Volts**.
- The oscillator is factory set to operate around **46 GHz**. The self-locking set screw is for frequency trimming only. It is not designed for frequent frequency tuning.
- The case temperature of the device should never exceed **+50 °C**. Use an additional heatsink or fan if necessary.
- Proper torque, 8.0 ± 0.4 inch-pounds (0.90 ± 0.02 Nm), should be applied. **SAGE Millimeter torque wrench, model SCH-08008-S1, is highly recommended.**
- Any foreign objects in the waveguide will destroy the device.



Q-Band Mechanically Tuned Gunn Oscillator, ±2.0 GHz Tuning Bandwidth

Appendix: The Outline of the Gunn Oscillator Regulator Model SOR-R3

