



E-Band Mechanically Tuned Gunn Oscillator, 2 GHz Tuning Bandwidth

Description:

Model SOM-75302317-12-S1 is an E-band, mechanically tuned Gunn oscillator that utilizes a high performance GaAs Gunn diode and proprietary cavity design to deliver +17 dBm typical power. The oscillator features a frequency tuning range of 74 to 76 GHz and delivers low AM/FM noise and harmonic emissions. Compared to its counterparts, such as multiplier based sources, the Gunn oscillator is a lower cost and cleaner source. The Gunn oscillator's frequency can also be tuned by varying the bias voltage, which is useful for phase-locking and electrical-tuning applications. The Gunn oscillator is equipped with a self-locking set screw for frequency trimming. Models with a micrometer for lab and test bench applications are available under a different model number. The performance of the oscillator can be further enhanced by adding an optional isolator, Gunn oscillator modulator/regulator and temperature heater.



Features:

- Low AM/FM Noise and Harmonics
- Bias Tunable

Applications:

- Test Sources
- Signal Generation
- Lab Test Setups

Electrical Specifications:

Parameter	Minimum	Typical	Maximum
Center Frequency	74 GHz	75 GHz	76 GHz
Power Output		+17 dBm	
Mechanical Tuning Range		±1.0 GHz*	
Bias Tuning Range (+4.5 to +5.5 V _{DC})		±100 MHz	
Bias Voltage		+5.5 V _{DC}	
Bias Current		650 mA	
Specification Temperature		+25°C	
Operating Temperature	0°C		+50°C

Note: Actual tuning bandwidth is wider, ±1.5 GHz typical.

Mechanical Specifications:

Item	Specification
RF Port	WR-12 Waveguide with UG-387/U Anti-Cocking Flange
Bias Port	SMA (F)
Mechanical Tuning	Self-Locking Set Screw
Body Material	Aluminum
Finish	Gold Plated
Weight	3.0 Oz
Outline	OM-SE-A-C



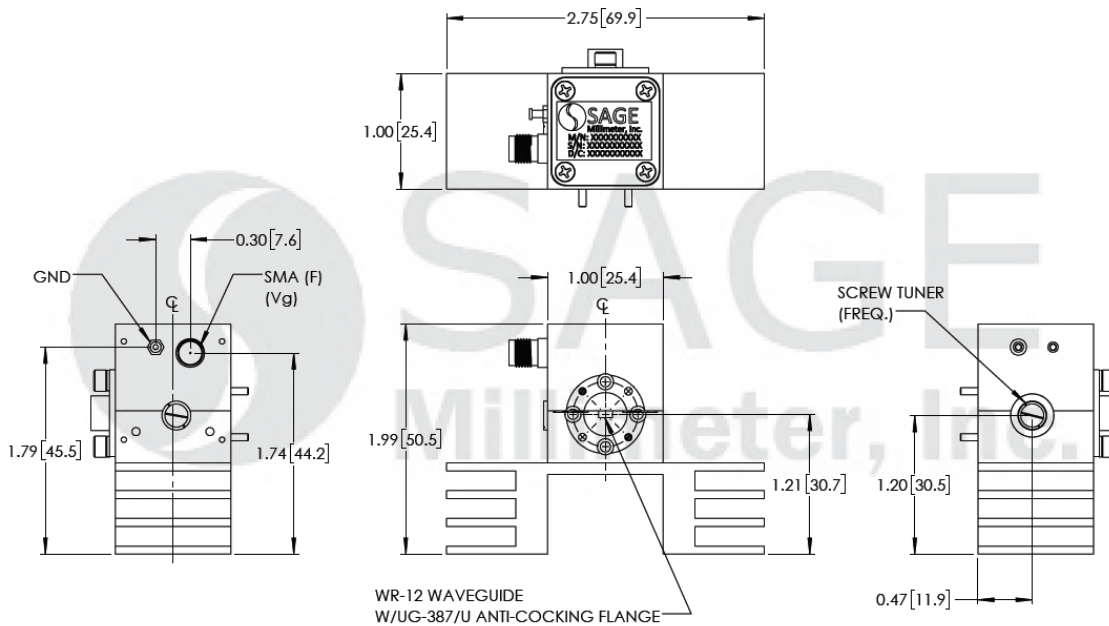


E-Band Mechanically Tuned Gunn Oscillator, 2 GHz Tuning Bandwidth

Typical Measured Data: Bias: +5.0 V_{DC}/850 mA

Tuner Position	Frequency (GHz)	Power (dBm)
1/2 Clockwise	73.79	16.7
Factory Set	75.00	16.9
3/4 Counter Clockwise	76.25	17.3

Mechanical Outline: (Unless otherwise specified, all dimensions are in inches [millimeters])



Note:

- All data presented is collected from a sample lot. Actual data may vary unit to unit, slightly.
- The data given above was tested under case temperature **35°C**.
- The SAGE Millimeter Gunn oscillator regulator **SOR-R3** is highly recommended for over voltage and reverse bias protection. The outline of the model SOR-R3 is shown in below.
- The bias tuning feature can be used for electrical tuning and phase lock loop applications.
- SAGE Millimeter, Inc. reserves the right to change the information presented without notice.

Caution:

- Reversing polarity will destroy the device.
- Bias voltage should never exceed **+5.5 Volts**.
- The case temperature of the device should never exceed **+50°C**. Use an additional heatsink or fan if necessary.
- Proper torque, 8.0 ± 0.4 inch-pounds (0.90 ± 0.02 Nm), should be applied. **SAGE Millimeter torque wrench, model SCH-08008-S1, is highly recommended.**
- Any foreign objects in the waveguide will destroy the device.



E-Band Mechanically Tuned Gunn Oscillator, 2 GHz Tuning Bandwidth

Appendix: Outline of Gunn Oscillator Regulator, Model SOR-R3

