



## DC to 26.5 GHz Programmable Attenuator, 70 dB, 10 dB Step Size

### Description:

**Model STA-0002737010-3F3F-P7** is a coaxial programmable attenuator for use in microwave and millimeter systems where auto attenuation adjustment is required. The attenuator covers the frequency range of DC to 26.5 GHz. The attenuation bias and control are via a 10 pin (2x5) 0.1" pin spacing shrouded male connector to accommodate remote operations from 0 to 70 dB. The attenuation step sizes are 10 dB. The actuator control and interface circuits are custom designed and uniquely packaged within the attenuator housing. The microprocessor-based electronics ramp the speed of a precision actuator to ensure fast and accurate positioning. The RF connectors are 3.5 mm female. Other connector options are offered under different model numbers. A 9" female to female cable with 10 pin connectors is included for interface convenience.



### Features:

- DC to 26.5 GHz Coverage
- High Attenuation Value up to 70 dB
- TTL Control via Logic Table
- Low DC Power Once Latching

### Applications:

- Test Lab
- Instrumentations
- Auto Test Set

### Electrical Specifications:

Parameter	Minimum	Typical	Maximum
RF Frequency Range	DC		26.5 GHz
Insertion Loss (at 0 dB Setting)		3.0 dB	3.5 dB
Attenuation Range	0 dB		70 dB
Attenuation Accuracy (Attenuation Range)	±1.0 dB (1 to 20 dB); ±1.2 dB (21 to 40 dB); ±2.0 dB (41 to 60 dB); ±2.7 dB (61 to 70 dB)		
Attenuation Step Size	10 dB		
Repeatability		0.05 dB	
Switching Speed (Per Switch)		20 ms	25 ms
Switching Control	TTL, Logic Table		
Return Loss	10 dB	15 dB	
Power Handling			1 Watt (CW)
Operating Life (Per Switch)	1,000,000 cycles		
Specification Temperature		+25 °C	
Operation Temperature	-20 °C		+75 °C
Shock, 3 Axis, 6 Direction	10g, 6 ms		
Vibration	5g, 50 to 2,000 Hz		
Humidity	240 hours @ +40 °C, 95% RH		
Operating Voltage/Current	+20 V <sub>DC</sub>	+24 V <sub>DC</sub> / 135 mA	+28 V <sub>DC</sub>



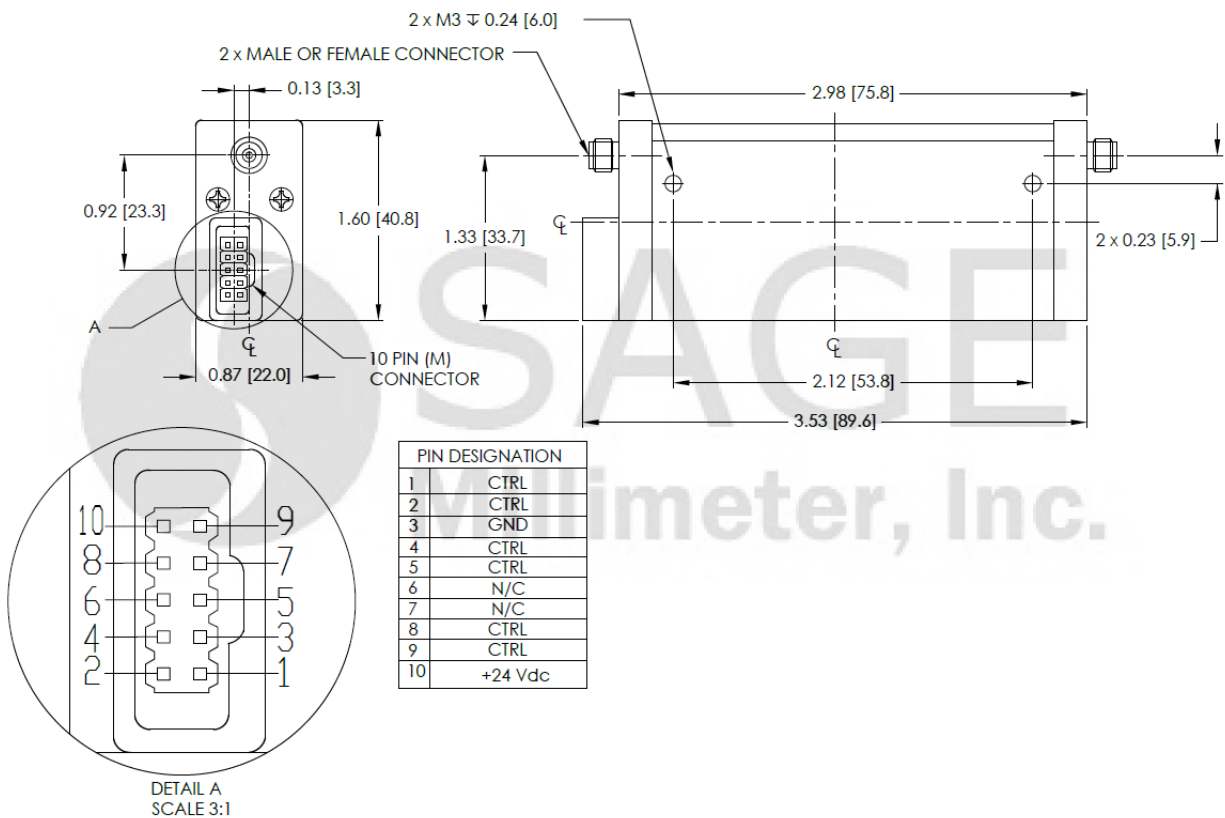


## DC to 26.5 GHz Programmable Attenuator, 70 dB, 10 dB Step Size

### Mechanical Specifications:

Item	Parameter
RF Ports	3.5 mm Female
Control Interface	10 Pin (2x5) 0.1" Pin Spacing Shrouded Male Connector
Bias Port	10 Pin (2x5) 0.1" Pin Spacing Shrouded Male Connector
Finish	Black Anodized and Passivate Stainless Steel
Weight	9.5 Oz
Outline	TA-PC-CE2

**Mechanical Outline:** (Unless otherwise specified, all dimensions are in inches [millimeters])



### Bias and Control Instructions:

The attenuator requires a typical DC bias at +24 Volts with 135 mA current capacity. The required current is only for switching. Once the attenuation state is settled no DC power is consumed. The switching time is no longer than 25 milliseconds.

The bias and control signal interface connector is shown in the mechanical outline. The detailed control signal for various attenuation values is shown in the Logic Table.





## DC to 26.5 GHz Programmable Attenuator, 70 dB, 10 dB Step Size

### Logic Table

Attenuation (dB)	Pin 1	Pin 2	Pin 3	Pin 4	Pin 5	Pin 6	Pin 7	Pin 8	Pin 9	Pin 10
10	H	↓	GND	↓	↓	N/C	N/C	H	H	+24 Vdc
20	↓	H	GND	↓	H	N/C	N/C	↓	H	+24 Vdc
30	H	↓	GND	↓	H	N/C	N/C	↓	H	+24 Vdc
40	↓	H	GND	H	↓	N/C	N/C	H	↓	+24 Vdc
50	H	↓	GND	H	↓	N/C	N/C	H	↓	+24 Vdc
60	↓	H	GND	H	H	N/C	N/C	↓	↓	+24 Vdc
70	H	↓	GND	H	H	N/C	N/C	↓	↓	+24 Vdc

### Note:

- H is TTL “High” = +4.2 Vdc to +5.0 Vdc; L is TTL “Low” = 0 to +1.0 Vdc.
- ↓ indicates transition High to Low, holding Low for 20 ms minimum.
- The pins should be switched one at a time.
- A USB controller can be added as an optional accessory to enable integration in ATE systems and to remotely control the unit via console.
- SAGE Millimeter, Inc. reserves the right to change the information presented without notice.

### Caution:

- The device may be damaged if pin 3 is floating while biasing. Make sure that pin 3 is always grounded.
- Exceeding absolute maximum ratings shown will damage the device.
- Always use provided mounting holes by using M3 screws to mount the device. To achieve the best electrical performance stability against shock and vibration it is recommended to mount the device on the flat baseplate parallel to the earth.
- Keep the device in a dry environment for long term storage as it is not hermetically packaged.
- Proper torque,  $8.0 \pm 0.15$  inch-pounds ( $0.90 \pm 0.02$  Nm), should be applied. **SAGE Millimeter torque wrench, model SCH-08008-U3, is highly recommended.**

