



## E-Band Fixed Attenuator, 3 dB

### Description:

**Model STA-03-12-F2** is a 3 dB fixed attenuator that is used in millimeterwave systems and operates from 60 to 90 GHz. The attenuator has a fixed attenuation value of 3 dB at center frequency, 75 GHz. While the attenuator is designed and fabricated for full waveguide band applications, the attenuation value of this model does show a minor slope within the band due to its distinct mechanical configuration. Various attenuation values are available under different model numbers.



### Features:

- Full Band Coverage
- Low Cost
- Accurate Attenuation Value at Center Frequency

### Applications:

- Test Lab
- Instrumentations
- System Integration

### Electrical Specifications:

Parameter	Minimum	Typical	Maximum
RF Frequency Range	60 GHz		90 GHz
Attenuation @ 75 GHz		3.0 dB	
VSWR		1.2:1	1.3:1
Power Handling		500 mW	750 mW
Specification Temperature		+25°C	
Operating Temperature	-40°C		+85°C

### Mechanical Specifications:

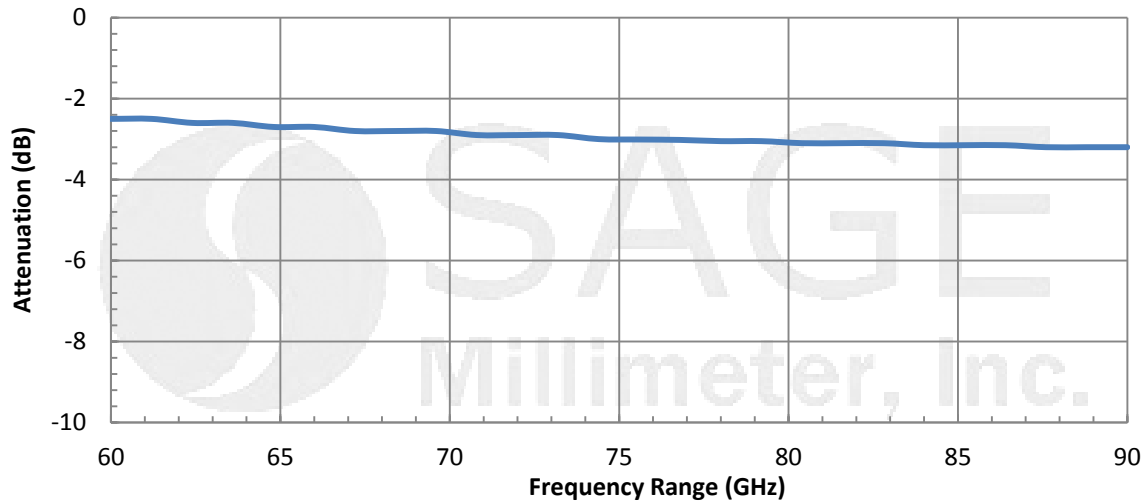
Item	Specification
RF Input	WR-12 Waveguide with UG-387/U Flange
RF Output	WR-12 Waveguide with UG-387/U Flange
Setting	Fixed
Insertion Length	2.50"
Finish	Gold Plated Waveguide Faces; Black Painted Body
Weight	1.3 Oz
Outline	TA-FE-BX1



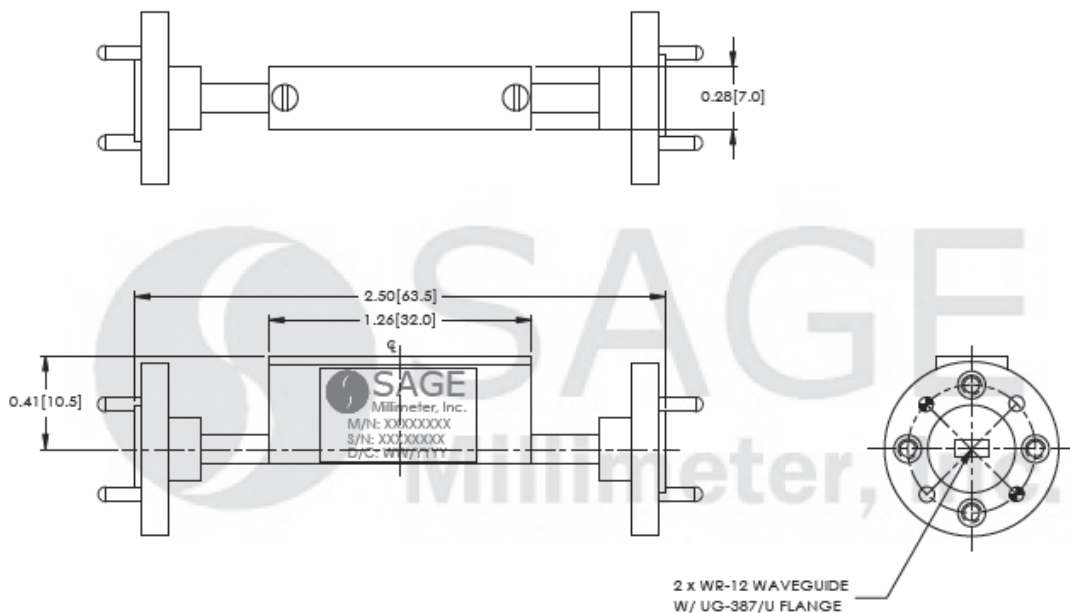


## E-Band Fixed Attenuator, 3 dB

### Typical Attenuation vs. Frequency



### Mechanical Outline: (Unless otherwise specified, all dimensions are in inches)



#### Note:

- All data was presented using a limited sample lot. Actual data may vary unit to unit.
- SAGE Millimeter, Inc. reserves the right to change the information presented without notice.

#### Caution:

- RF power should never exceed 750 mW.
- Any foreign objects in the waveguide will cause performance degradation and may damage the device.

