



E-Band Fixed Attenuator, 30 dB

Description:

Model STA-30-12-F2 is a 30 dB fixed attenuator that is used in millimeterwave systems and operates from 60 to 90 GHz. The attenuator has a fixed attenuation value of 30 dB at center frequency, 75 GHz. While the attenuator is designed and fabricated for full waveguide band applications, the attenuation value of this model does show a minor slope within the band due to its distinct mechanical configuration. Various attenuation values are available under different model numbers.



Features:

- Full Band Coverage
- Low Cost
- Accurate Attenuation Value at Center Frequency

Applications:

- Test Lab
- Instrumentations
- System Integration

Electrical Specifications:

| Parameter | Minimum | Typical | Maximum |
|---------------------------|---------|---------|---------|
| RF Frequency Range | 60 GHz | | 90 GHz |
| Attenuation @ 75 GHz | | 30.0 dB | |
| VSWR | | 1.2:1 | 1.3:1 |
| Power Handling | | 500 mW | 750 mW |
| Specification Temperature | | +25°C | |
| Operating Temperature | -40°C | | +85°C |

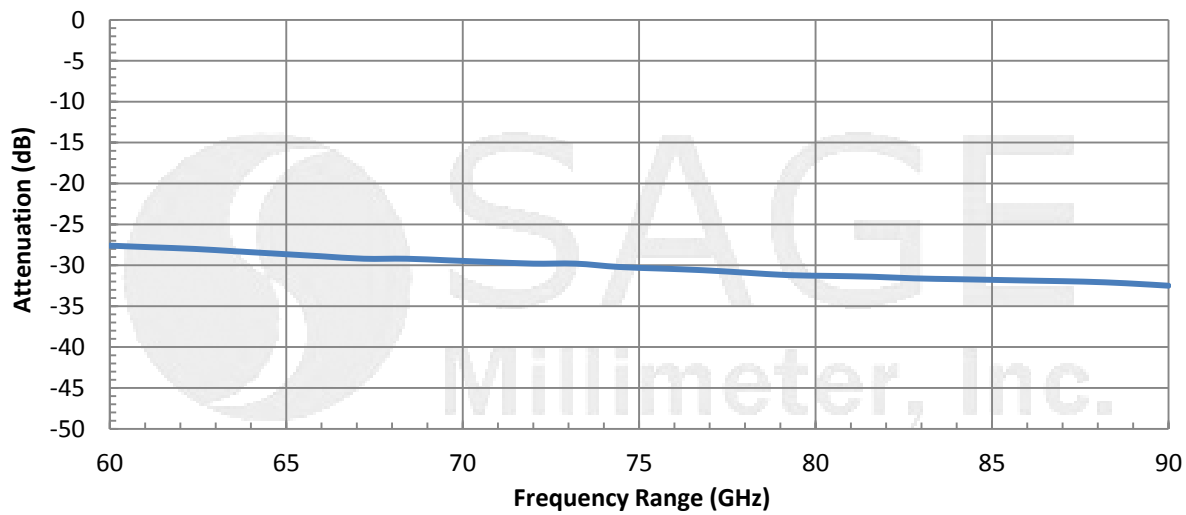
Mechanical Specifications:

| Item | Specification |
|------------------|---|
| RF Input | WR-12 Waveguide with UG-387/U Flange |
| RF Output | WR-12 Waveguide with UG-387/U Flange |
| Setting | Fixed |
| Insertion Length | 2.50" |
| Finish | Gold Plated Waveguide Faces; Black Painted Body |
| Weight | 1.3 Oz |
| Outline | TA-FE-BX1 |

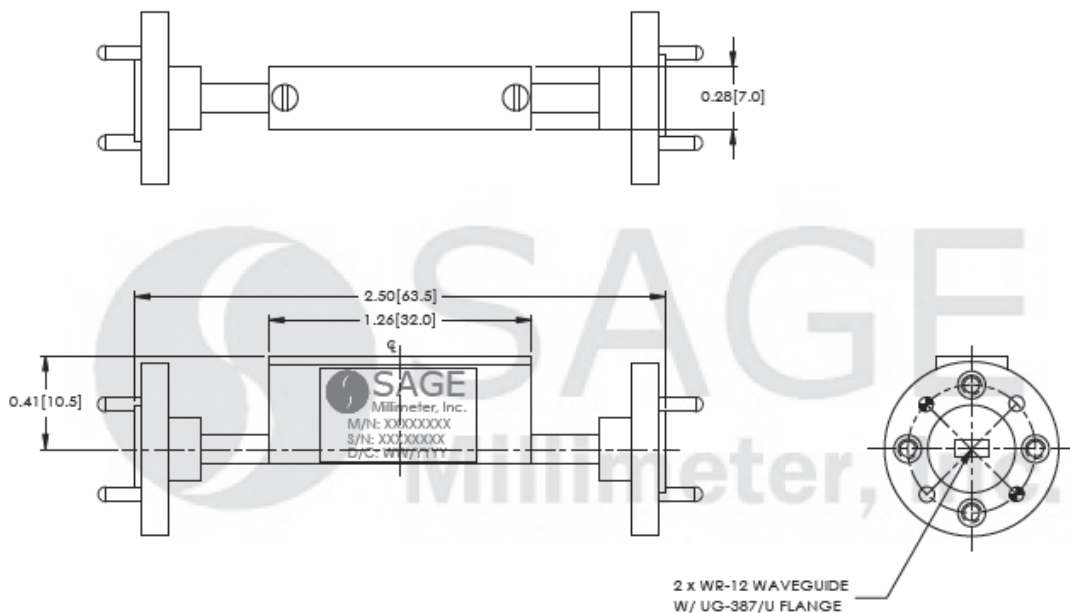


E-Band Fixed Attenuator, 30 dB

Typical Attenuation vs. Frequency



Mechanical Outline: (Unless otherwise specified, all dimensions are in inches)



Note:

- All data was presented using a limited sample lot. Actual data may vary unit to unit.
- SAGE Millimeter, Inc. reserves the right to change the information presented without notice.

Caution:

- RF power should never exceed 750 mW.
- Any foreign objects in the waveguide will cause performance degradation and may damage the device.

