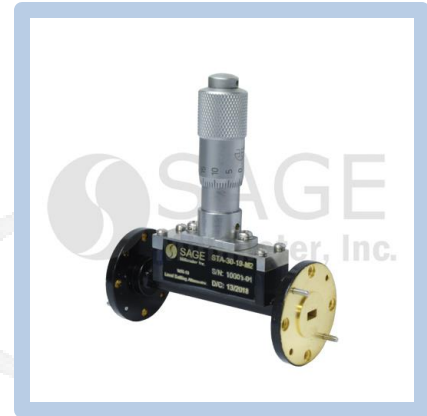




## U-Band Level Setting Attenuator

### Description:

**Model STA-30-19-M2** is a U band level setting attenuator that covers the frequency range of 40 to 60 GHz. The attenuator has a micrometer dial which allows for repeatable settings. The level setting attenuator is an ideal piece of equipment in waveguide systems where broadband level setting is required. The attenuator exhibits 0.3 dB typical insertion loss and up to 30 dB nominal attenuation.



### Features:

- Full Band Coverage
- Low Cost
- Convenient Level Setting

### Applications:

- Test Lab
- Instrumentations
- Manual Test Set

### Electrical Specifications:

Parameter	Minimum	Typical	Maximum
RF Frequency Range	40 GHz		60 GHz
Insertion Loss		0.3 dB	
Attenuation Range		30 dB	
Return Loss		21 dB	
Power Handling		500 mW (CW)	750 mW (CW)
Specification Temperature		+25°C	
Operating Temperature	-40°C		+85°C

### Mechanical Specifications:

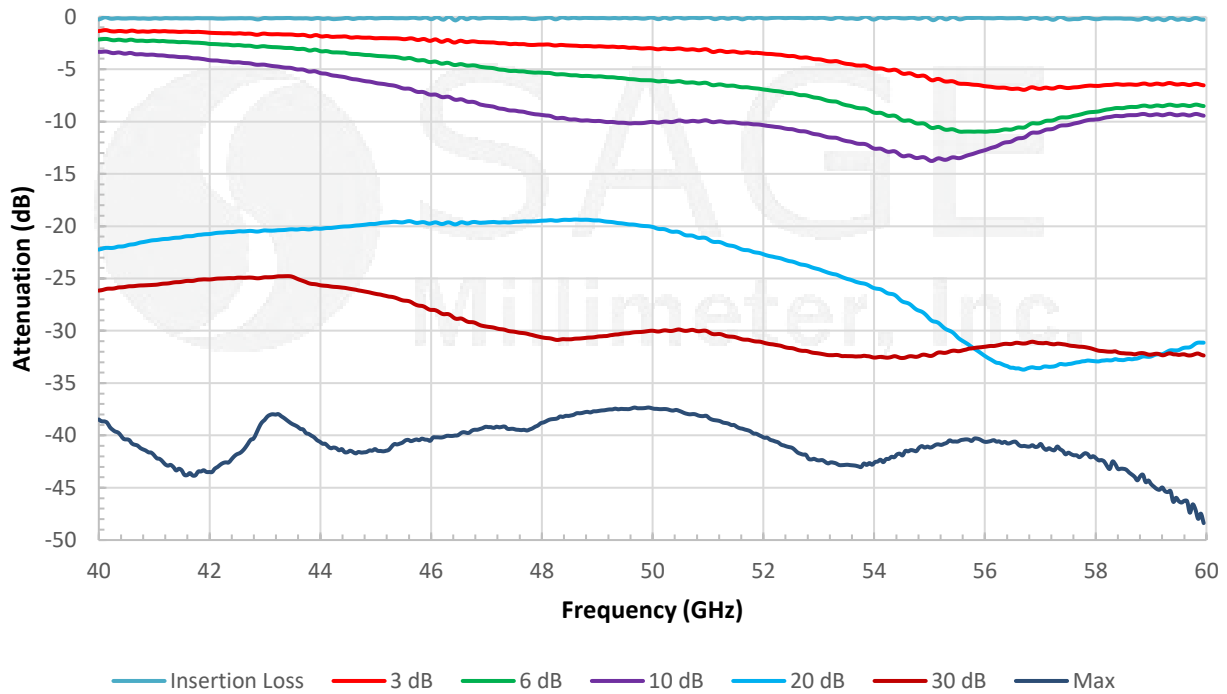
Item	Specification
RF Input	WR-19 Waveguide with UG-383/U-M Flange
RF Output	WR-19 Waveguide with UG-383/U-M Flange
Setting	Micrometer Head
Insertion Length	2.50"
Finish	Gold Plated Waveguide Faces; Black Painted Body
Weight	4.8 Oz
Outline	TA-MU-BX1



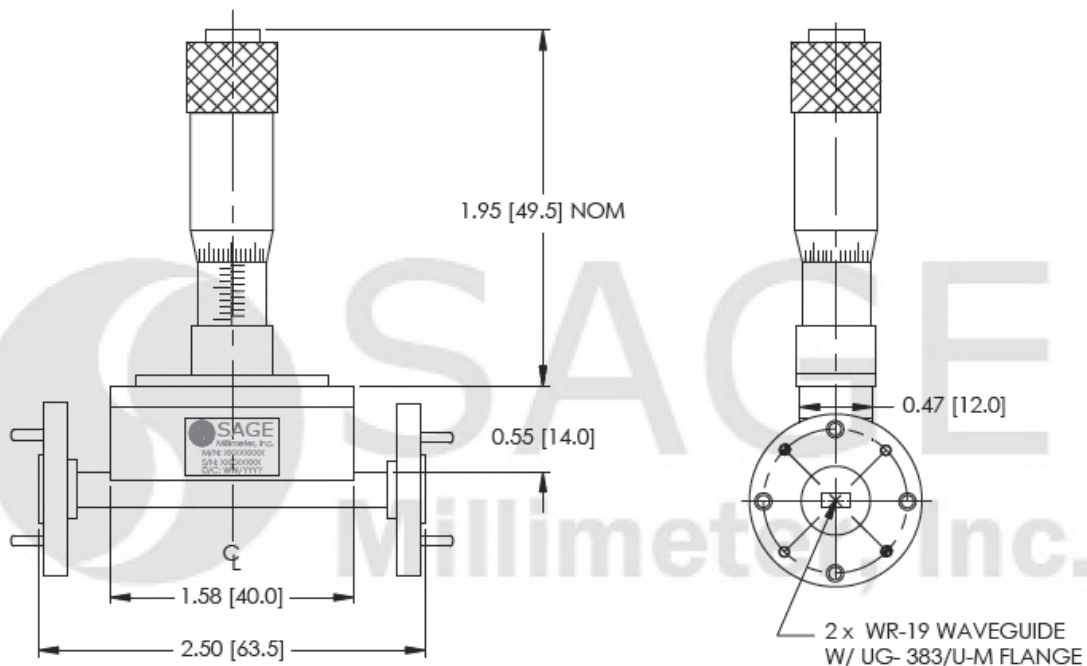


## U-Band Level Setting Attenuator

### Typical Performance vs Frequency



### Mechanical Outline: (Unless otherwise specified, all dimensions are in inches [millimeters])



## U-Band Level Setting Attenuator

### Note:

- All data presented is collected from a sample lot. Actual data may vary unit to unit, slightly.
- All testing was performed under +25 °C case temperature.
- SAGE Millimeter, Inc. reserves the right to change the information presented without notice.

### Caution:

- RF power should never exceed 750 mW.
- Any foreign objects in the waveguide will cause performance degradation and may damage the device.

