



K-Band Direct Reading Attenuator

Description:

Model STA-60-42-D1 is a direct reading, rotary vane attenuator for use in millimeter wave systems across the standard K-band frequency range of 18 to 26.5 GHz. The attenuator has a large scale dial which indicates the attenuation value directly. The attenuator is an ideal piece of equipment in waveguide systems where a broad direct reading of attenuation is required. The attenuator exhibits 0.5 dB maximum insertion loss and up to maximum 60 dB attenuation. The accuracy of the attenuator is 0.1 dB or 3% of the reading, whichever is larger, up to 40 dB, 5% up to 50 dB, and “for reference only” above 50 dB.



Features:

- Full Band Coverage
- High Attenuation Accuracy
- Large Scaled Dial

Applications:

- Test Lab
- Instrumentations
- Manual Test Set

Electrical Specifications:

Parameter	Minimum	Typical	Maximum
RF Frequency Range	18.0 GHz		26.5 GHz
Insertion Loss			0.5 dB
Attenuation Range	0 dB		60 dB
Attenuation Accuracy	0.1 dB or 3% of reading, whichever is larger, up to 40 dB		
VSWR			1.3:1
Power Handling		50 mW	100 mW

*The maximum power handling is based on pulsed signal operation. Limit to 50 mW for CW operation.

Mechanical Specifications:

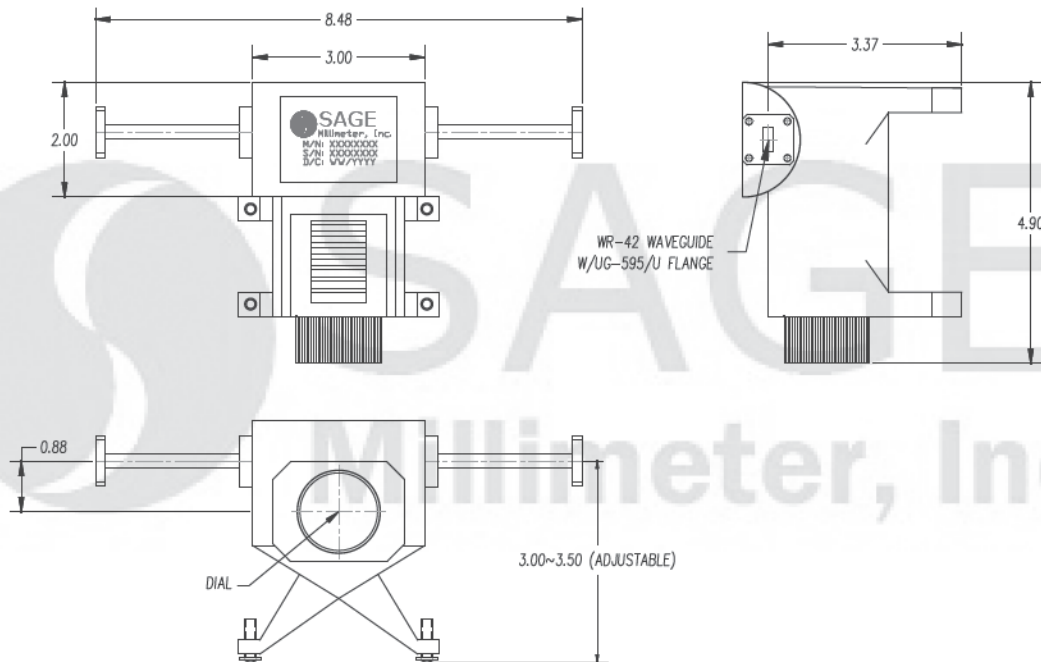
Item	Specification
RF Input	WR-42 Waveguide with UG-595/U Flange
RF Output	WR-42 Waveguide with UG-595/U Flange
Reading	Large Scale Dial
Scale Increments	0.01 dB (0 to 0.1 dB); 0.05 dB (0.1 to 1.0 dB); 0.1 dB (1.0 to 10 dB) 0.02 dB (10 to 20 dB); 0.05 dB (20 to 30 dB); 1.0 dB (30 to 50 dB)
Insertion Length	8.48"
Finish	Black Anodized
Weight	2.4 lb
Outline	TA-DK





K-Band Direct Reading Attenuator

Mechanical Outline: (Unless otherwise specified, all dimensions are in inches)



Note:

- Calibration accuracy is 0.1 dB or 3% of the reading, whichever is greater, for attenuation ranges up to 40 dB, 5% up to 50 dB, and “for reference only” above 50 dB.
- The attenuation flatness is $\pm 2\%$ or ± 0.5 dB of the indicated value, whichever is greater, for the frequency band.
- The phase shift value does change while varying the attenuation.
- SAGE Millimeter, Inc. reserves the right to change the information presented without notice.

Caution:

- Exceeding absolute maximum ratings shown will damage the device.
- Any foreign objects in the waveguide will cause performance degradation and may damage the device.

