



U-Band Waveguide Detector, Positive Polarity

Description:

Model STD-19SF-PI is a U Band waveguide detector that covers the frequency range of 40 to 60 GHz. The detector is zero biased and intended for small signal detection and network analyzer applications. Due to the proprietary circuitry design and careful diode selection, the detector exhibits high sensitivity and extremely flat output characteristics. The detector is designed to have a 10 MHz video bandwidth and a 1 MΩ video output impedance. The minimum detectable signal level is approximately -50 dBm. The Faraday isolator is integrated to improve the input port return loss



Features:

- Full Waveguide Band Operation
- High Sensitivity Without Tuning
- Integrated Faraday Isolator

Applications:

- Test Lab
- Network Analyzer Systems
- Test instrumentations

Electrical Specifications:

Parameter	Minimum	Typical	Maximum
Frequency Range	40 GHz		60 GHz
Sensitivity		1,200 mV/mW	
Sensitivity Flatness		±1.5 dB	
RF Input Power		-20 dBm	+17 dBm
Return Loss		15 dB	
Video Bandwidth		10 MHz	
Output Voltage Polarity		Positive*	
Specification Temperature		+25 °C	
Operating Temperature	0 °C		+50 °C

*Note: Negative output voltage polarity is available under the model number **STD-19SF-NI**.

Mechanical Specifications:

Item	Specification
RF Port	WR-19 Waveguide with UG-383/U-M Flange
DC Port	SMA (F)
Flange Material	Brass
Finish	Gold Plated and Black Anodized
Weight	5.6 Oz
Size	3.69" (L) x 1.31" (Ø)
Outline	TD-U1

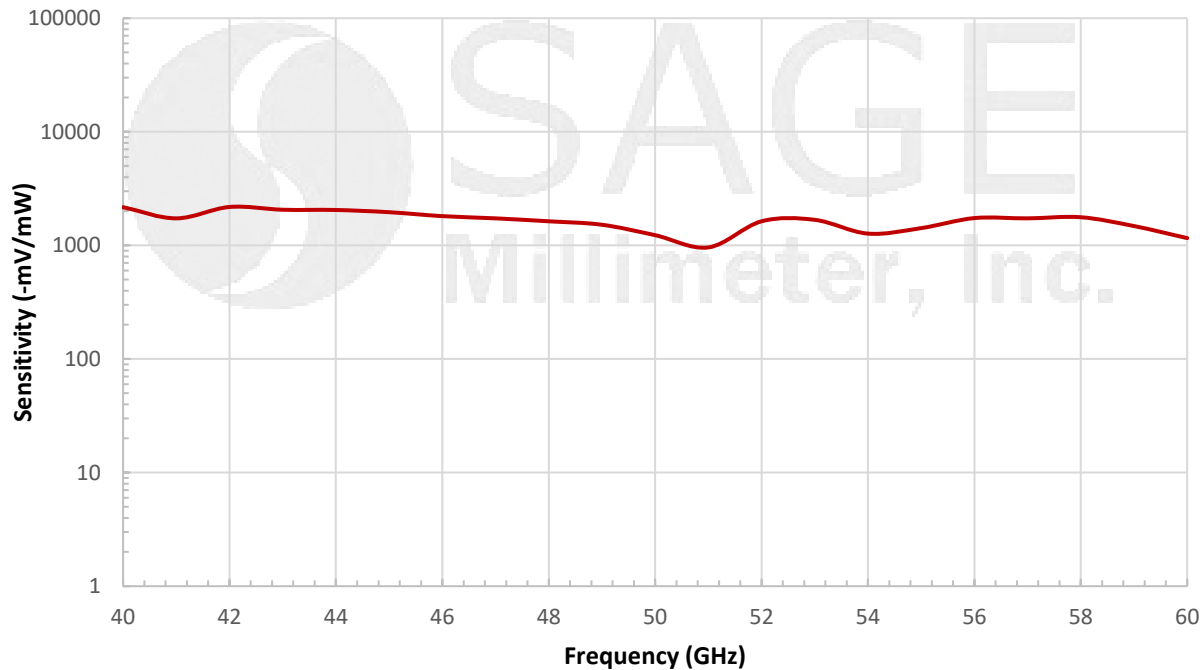




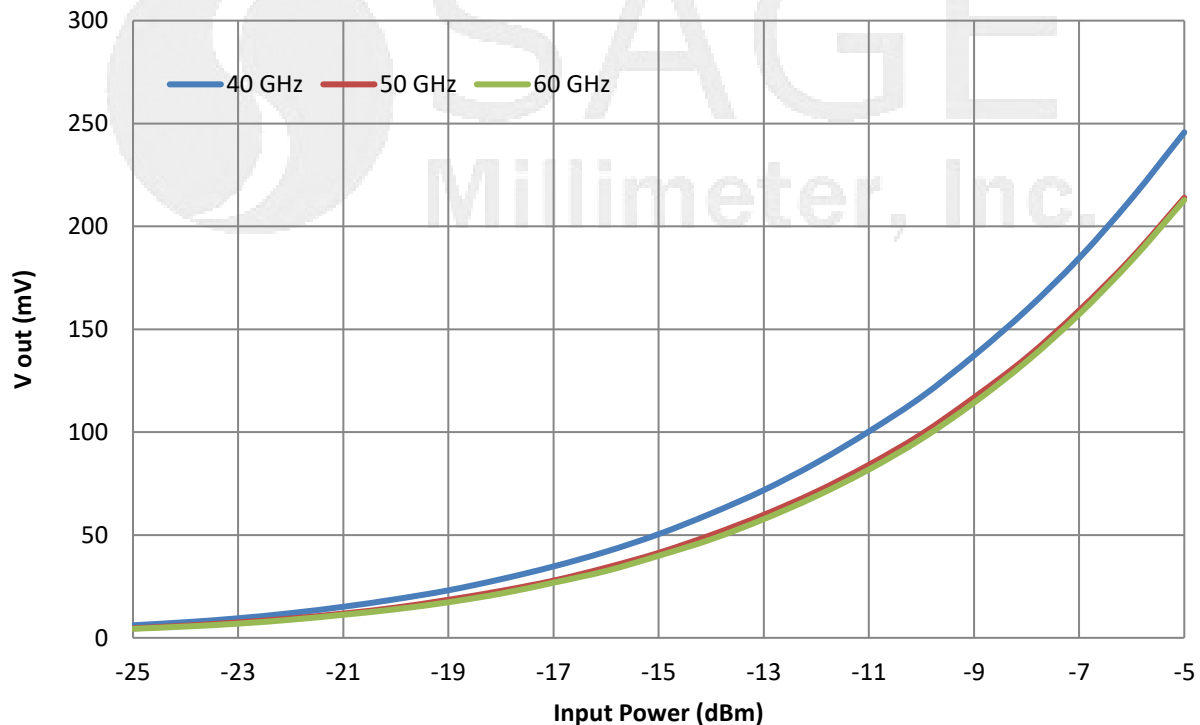
U-Band Waveguide Detector, Positive Polarity

Typical Performance vs. Frequency

$P_{in} = -20$ dBm



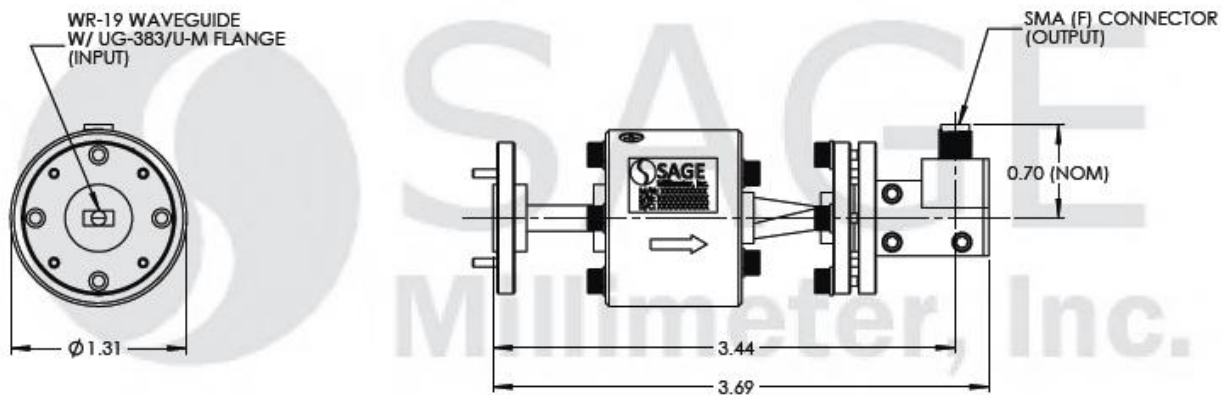
Typical Detected Voltage vs. Input Power





U-Band Waveguide Detector, Positive Polarity

Mechanical Outline: (Unless otherwise specified, all dimensions are in inches)



Note:

- All data presented is collected from a sample lot. Actual data may vary unit to unit, slightly.
- All testing was performed under +25 °C case temperature.
- SAGE Millimeter, Inc. reserves the right to change the information presented without notice.

Caution:

- Exceeding absolute maximum ratings will damage the device.
- The device is static sensitive. Always follow ESD rules when working with the device.
- Any foreign objects in the waveguide will cause performance degradation and can possibly damage the device.
- Proper torque, 8.0 ± 0.4 inch-pounds (0.90 ± 0.02 Nm), should be applied. **SAGE Millimeter torque wrench, model SCH-08008-S1, is highly recommended.**

