

Instrument Mini Jack, 2.0" x 2.4"

Description:

STJ-2024-S1 is an instrument mini jack that provides an adjustable support solution in laboratory environments. The mini jack is especially helpful when setting up bench top test sets or module testing systems. The jack is constructed with passivated stainless steel, featuring a 2.0 x 2.4 inch table and an elevation range of 1.7 to 4.5 inches.



Features:

- Rugged configuration
- Quick and smooth one knob adjustment
- Instrumentation grade

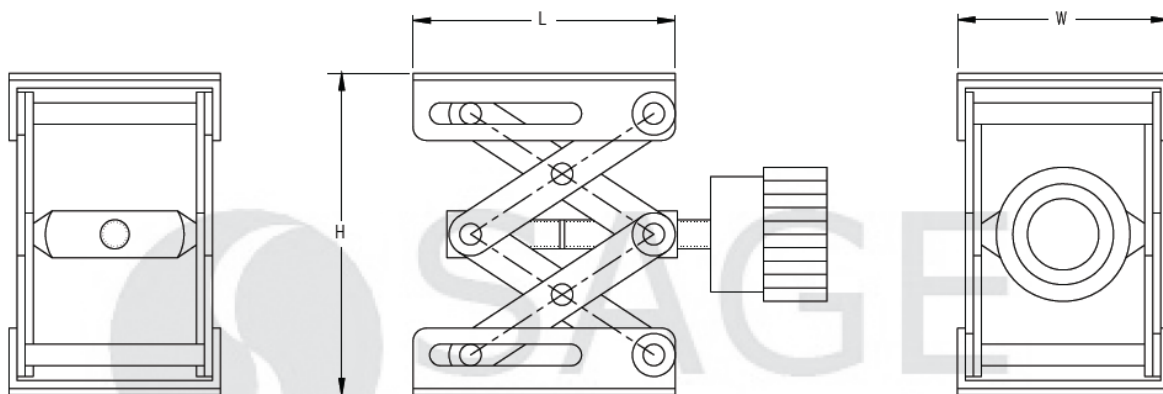
Applications:

- Lab apparatus support
- Test setup support
- Waveguide system support

Mechanical Specifications:

| Item | Specification |
|---------------------|-----------------|
| Table Size (L x W) | 2.0" x 2.4" |
| Elevation Range (H) | 1.7" – 4.5" |
| Material | Stainless Steel |
| Finish | Passivated |
| Weight | 1.0 lb |
| Outline | TJ-S1-1 |

Mechanical Outline: (Unless otherwise specified, all dimensions are in inches)



Note:

- SAGE Millimeter, Inc. reserves the right to change the information presented without notice.

