



Radar Target Simulator, Programmable, 76.5 GHz

Description:

Model STR-773-12-P1 is a radar doppler simulator that operates at 76.5 GHz with a bandwidth of ± 250 MHz and a WR-12 waveguide input/output. The simulator utilizes a single-sideband-modulator to modulate the incoming signal transmitted by the radar under test and sends back either a higher or lower band signal through a diplexer. The frequency-shifted signal is transmitted back to the radar under test as the Doppler signal. Target characteristics can be adjusted by changing the I and Q channel frequency and phase. The routing attenuation is adjusted by the programmable attenuator.



Features:

- Single Sideband Output
- Simulated Target Speed and Size Adjustable
- Simulated Target Moving Direction Switchable
- Instrumentation Grade
- Programable via PoE Ethernet Port

Applications:

- Doppler Target Simulations
- Radar System Testing

Electrical Specifications:

Parameter	Minimum	Typical	Maximum
Center Frequency		76.5 GHz	
RF Bandwidth		± 250 MHz	
Carrier Rejection		30 dB	
Image Rejection		20 dB	
Routing Loss Range		30 to 80 dB	
I/Q Frequency Range	DC		250 MHz
I/Q Voltage		10 V _{p-p}	12 V _{p-p}
I/Q Current		5 mA	10 mA
I/Q Phase Error		$\pm 15^\circ$	
Specification Temperature		+25 °C	
Operating Temperature	-20 °C		+50 °C

Mechanical Specifications:

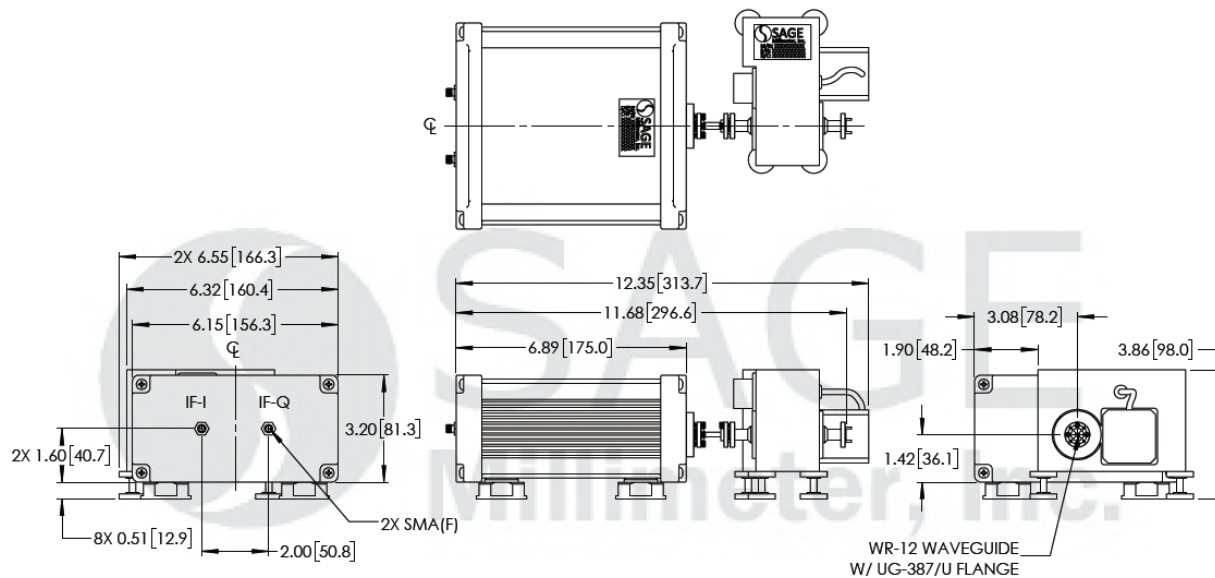
Item	Specification
RF Port	WR-12 Waveguide with UG-387/U Flange
Attenuator Control/Power Interface	Cat 5, Ethernet (RJ45)
I/Q Ports	SMA(F)
Finish	Black Anodized
Size	12.35" (L) x 6.55" (W) x 3.86" (H)
Outline	TR-EP



www.sagemillimeter.com | 3043 Kashiwa Street, Torrance, CA 90505
 Phone: 424-757-0168 | Fax: 424-757-0188 | Email: sales@sagemillimeter.com

Radar Target Simulator, Programmable, 76.5 GHz

Mechanical Outline: (Unless otherwise specified, all dimensions are in inches [millimeters])



Note:

- SAGE Millimeter, Inc. reserves the right to change the information presented without notice.
- Models with different operation frequencies are available under a different model numbers.
- The 79 to 81 GHz Radar Target Simulator with a **direct reading or level setting attenuator**, instead of a programmable attenuator, are available as models **STR-773-12-D1 & STR-773-12-L1**, respectively.

Caution:

- Exceeding absolute maximum ratings will damage the device.
- Any foreign objects in the waveguide will cause performance degradation and may damage the device.
- Proper torque, 8.0 ± 0.15 inch-pounds (0.92 ± 0.05 Nm), should be applied. **SAGE Millimeter torque wrench, model SCH-08008-S1, is highly recommended.**

