



## WR-08 H-Plane Waveguide Bend, 90°

### Description:

**Model SWB-08090-HB** is a 90 degree, WR-08 H-plane waveguide bend with UG-387/U-M circular flanges. The bend radius is 0.75". The waveguide bend is manufactured through a precision machining process to ensure high quality and ruggedness. The waveguide is offered to cover the frequency range of 90 to 140 GHz.



### Features:

- Frequency Coverage: 90.0 to 140.0 GHz
- Rugged Waveguide Configuration
- Low Insertion Loss

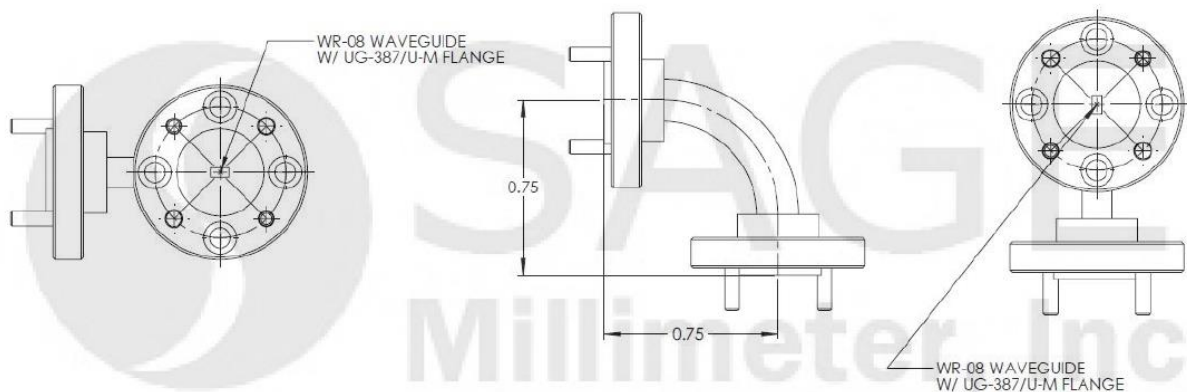
### Applications:

- Test Instrumentation
- Sub-assemblies
- Lab Use

### Mechanical Specifications:

Item	Specification
Waveguide Size	WR-08 Waveguide with UG-387/U-M Flanges
Bend Plane	H Plane
Bend Angle	90 Degrees
Bend Radius	0.75"
Flange Material	Brass
Waveguide Material	Copper
Finish	Gold Plated
Weight	0.6 Oz
Outline	WB-HF

### Mechanical Outline: (Unless otherwise specified, all dimensions are in inches)



### Note:

- SAGE Millimeter, Inc. reserves the right to change the information presented without notice.

