



WR-10 H-Plane Waveguide Bend, 90°, 1.0" Bend Radius

Description:

Model SWB-10090-HB-1.0 is a 90 degree, WR-10 H-plane waveguide bend with UG-387/U-M circular flanges. The bend radius is 1.0". The waveguide bend is manufactured through a precision machining process to ensure high quality and ruggedness. The waveguide is offered to cover the frequency range of 75 to 110 GHz.



Features:

- Frequency Coverage: 75.0 to 110.0 GHz
- Rugged Waveguide Configuration
- Low Insertion Loss

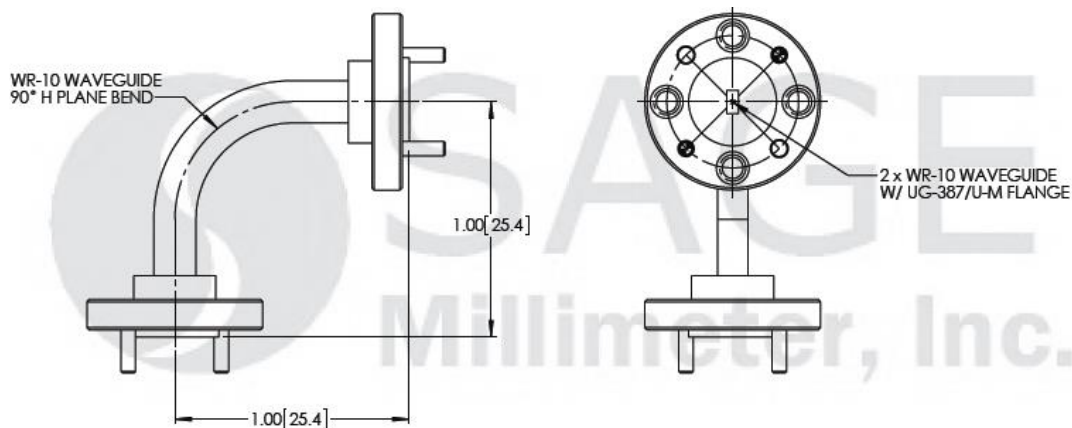
Applications:

- Test Instrumentation
- Sub-assemblies
- Lab Use

Mechanical Specifications:

Item	Specification
Waveguide Size	WR-10 Waveguide with UG-387/U-M Flanges
Bend Plane	H Plane
Bend Angle	90 Degrees
Bend Radius	1.0"
Flange Material	Brass
Waveguide Material	Copper
Finish	Gold Plated
Weight	0.6 Oz
Outline	WB-HW-1.0

Mechanical Outline: (Unless otherwise specified, all dimensions are in inches)



Note:

- SAGE Millimeter, Inc. reserves the right to change the information presented without notice.

