



WR-12 H-Plane Waveguide Bend, 90°

Description:

Model SWB-12090-HB is a 90 degree, WR-12 H-plane waveguide bend with UG-387/U circular flanges. The bend radius is 0.75". The waveguide bend is manufactured through a precision machining process to ensure high quality and ruggedness. The waveguide is offered to cover the frequency range of 60 to 90 GHz.



Features:

- Frequency Coverage: 60.0 to 90.0 GHz
- Rugged Waveguide Configuration
- Low Insertion Loss

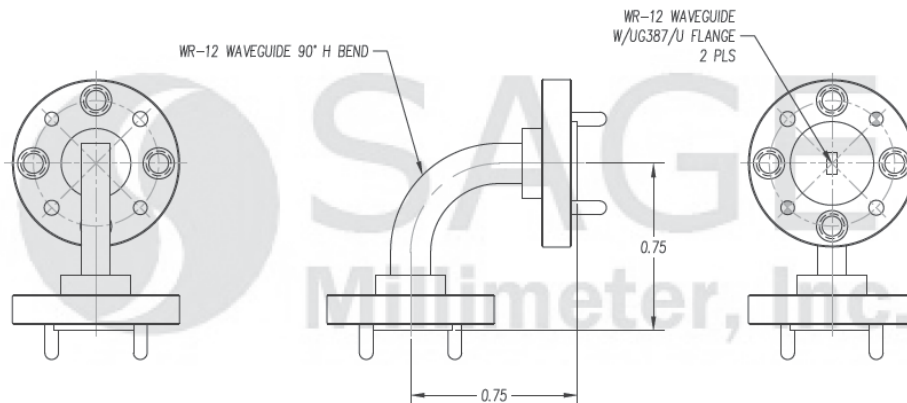
Applications:

- Test Instrumentation
- Sub-assemblies
- Lab Use

Mechanical Specifications:

Item	Specification
Waveguide Size	WR-12 Waveguide with UG-387/U Flanges
Bend Plane	H Plane
Bend Angle	90 Degrees
Bend Radius	0.75"
Flange Material	Brass
Waveguide Material	Copper
Finish	Gold Plated
Weight	0.7 Oz
Outline	WB-HE

Mechanical Outline: (Unless otherwise specified, all dimensions are in inches)



Note:

- SAGE Millimeter, Inc. reserves the right to change the information presented without notice.



www.sagemillimeter.com | 3043 Kashiwa Street, Torrance, CA 90505
 Phone: 424-757-0168 | Fax: 424-757-0188 | Email: sales@sagemillimeter.com