



WR-19 Waveguide Twist, 90°

Description:

Model SWB-19090-TB is a 90 degree, WR-19 waveguide twist with UG-383/U-M circular flanges. The length of the twist is 1.5". The waveguide twist is manufactured through a precision machining process to ensure high quality and ruggedness. The waveguide is offered to cover the frequency range of 40 to 60 GHz.



Features:

- Frequency Coverage: 40.0 to 60.0 GHz
- Rugged Waveguide Configuration
- Low Insertion Loss

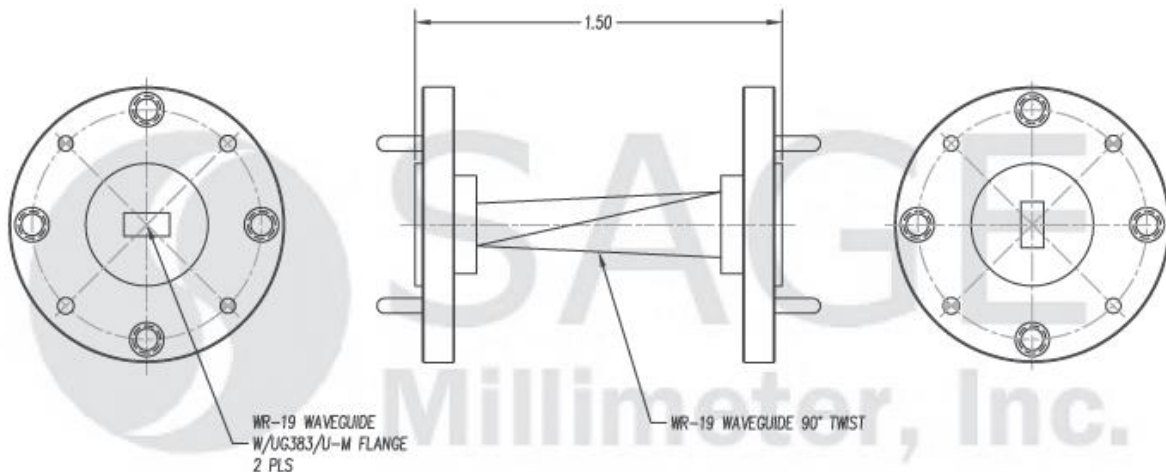
Applications:

- Test Instrumentation
- Sub-assemblies
- Lab Use

Mechanical Specifications:

Item	Specification
Waveguide Size	WR-19 Waveguide with UG-383/U-M Flanges
Twist Angle	90 Degrees
Insertion Length	1.5"
Flange Material	Brass
Waveguide Material	Copper
Finish	Gold Plated
Weight	1.5 Oz
Outline	WB-TU

Mechanical Outline: (Unless otherwise specified, all dimensions are in inches)



Note:

- SAGE Millimeter, Inc. reserves the right to change the information presented without notice.



www.sagemillimeter.com | 3043 Kashiwa Street, Torrance, CA 90505
 Phone: 424-757-0168 | Fax: 424-757-0188 | Email: sales@sagemillimeter.com