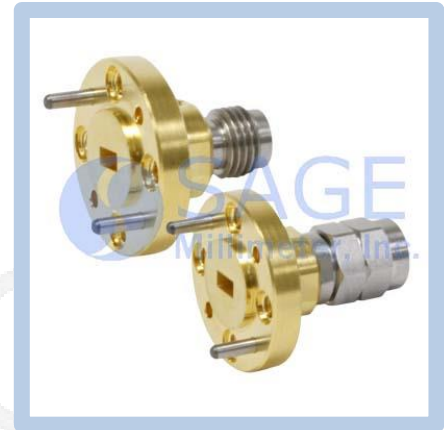




## E-Band Waveguide to 1.85 mm Connector Adapter, End Launch

### Description:

**Models SWC-12VF-E1 and SWC-12VM-E1** are end launch (180°) E-band waveguide to coax adapters that cover the frequency range of 60 to 72 GHz. The upper frequency limitation of these adapter is due to the TEM mode operation of the 1.85 mm connector. The full E-band coverage is offered under the model numbers **SWC-12EF-E1, SWC-12EM-E1, SWC-121F-E1 and SWC-121M-E1**. These adapters are designed and manufactured for instrumentation grade quality but offered at a commercial grade price, allowing for an efficient transition between the rectangular waveguide and 1.85 mm (V) coax connector.



### Features:

- Full Waveguide Coverage
- Low Insertion Loss
- Instrumentation Grade
- DC Short Circuit

### Applications:

- Test Lab
- Instrumentation
- Sub-assemblies

### Electrical Specifications:

Parameter	Minimum	Typical	Maximum
Frequency Range	60 GHz		72 GHz
Insertion Loss		0.6 dB	
Return Loss		14 dB	
Power Handling			10 W (CW)
Specification Temperature		+25°C	
Operating Temperature	-40°C		+85°C

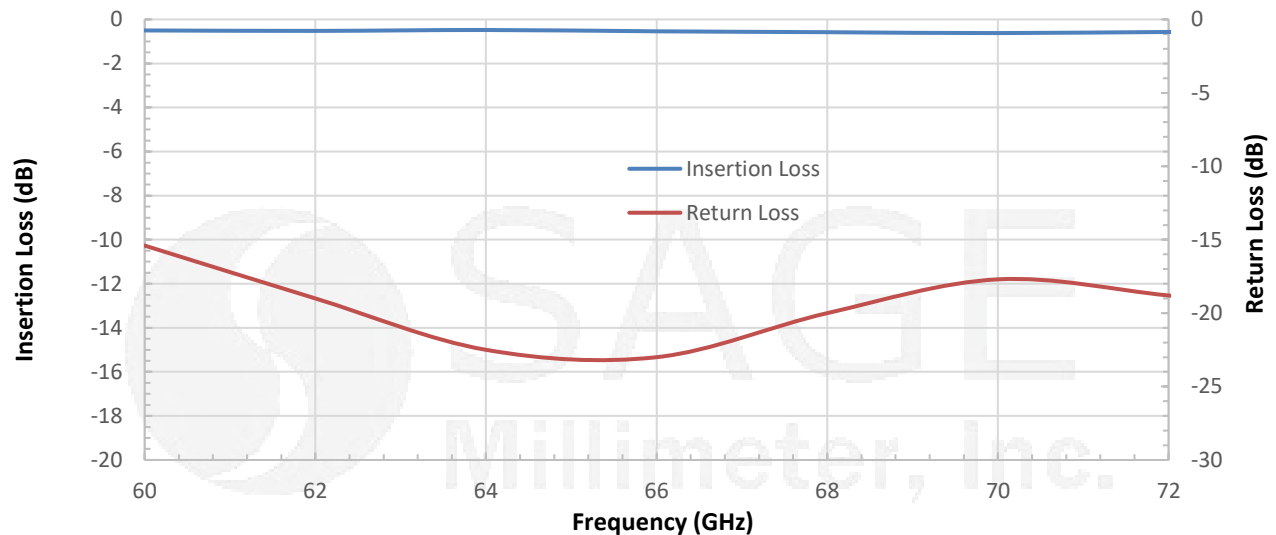
### Mechanical Specifications:

Item	Parameter
Waveguide	WR-12 with UG-387/U Flange
Coaxial	1.85 mm Female for Model Number: SWC-12VF-E1
Coaxial	1.85 mm Male Model Number: SWC-12VM-E1
Size	0.41" (L) x 0.75" (Ø)
Housing Material	Aluminum
Finish	Gold Plated
Weight	0.3 Oz
Outline	WC-EE

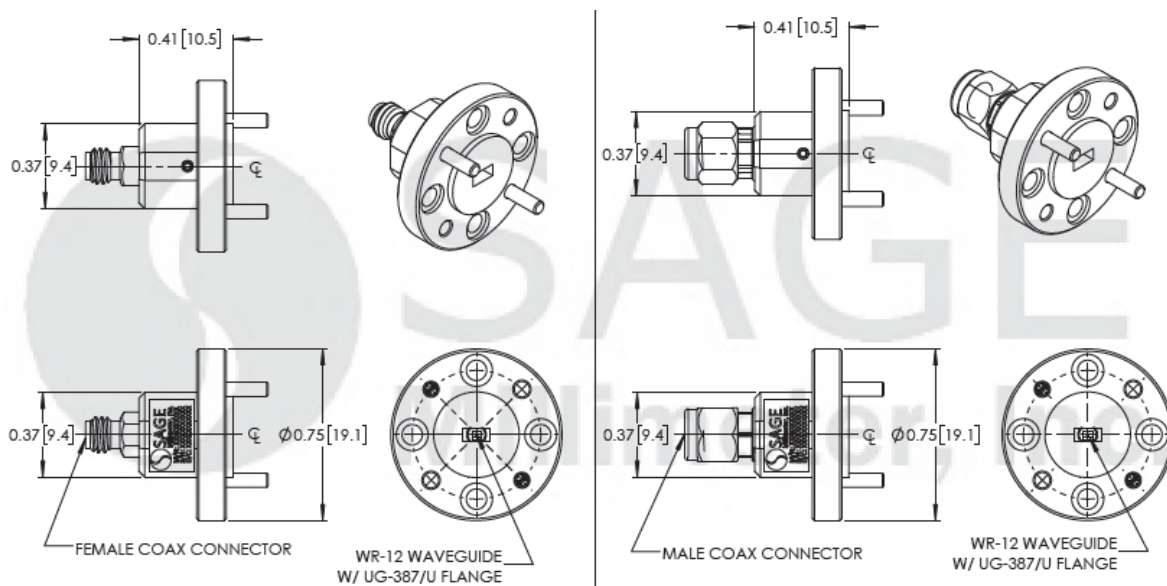


## E-Band Waveguide to 1.85 mm Connector Adapter, End Launch

### Typical Insertion Loss and Return Loss vs. Frequency (Back to Back)



### Mechanical Outline: (Unless otherwise specified, all dimensions are in inches [millimeters])



#### Note:

- All data presented is collected from a sample lot. Actual data may vary unit to unit.
- All testing was performed under 25°C case temperature.
- SAGE Millimeter, Inc. reserves the right to change the information presented without notice.

#### Caution:

- Any foreign objects in the waveguide will cause performance degradation and may damage the adapter.
- Proper torque,  $8.0 \pm 0.15$  inch-pounds ( $0.90 \pm 0.02$  Nm), should be applied. **SAGE Millimeter torque wrench, model SCH-08008-U3, is highly recommended.**



www.sagemillimeter.com | 3043 Kashiwa Street, Torrance, CA 90505  
 Phone: 424-757-0168 | Fax: 424-757-0188 | Email: sales@sagemillimeter.com