



U-Band Waveguide to Coax Panel Mount Adapter, End Launch

Description:

Models **SWC-191F-E1-WR** and **SWC-191M-E1-WR** are end launch (180°) U-Band waveguide to coax panel mount adapters that cover the frequency range of 40 to 60 GHz. They are designed and manufactured for panel mount instrumentation applications and allow for an efficient transition between the rectangular waveguide and 1 mm coax connector. These adapters are also specially designed to be weather resistant.



Features:

- Broad Band Coverage
- Lower Insertion Loss
- Instrumentation Grade
- DC Short Circuit
- Weather Resistant

Applications:

- Test Labs
- Instrumentation
- Communication Systems

Electrical Specifications:

Parameter	Minimum	Typical	Maximum
Frequency Range*	40 GHz		60 GHz
Insertion Loss		0.4 dB	
Return Loss		15 dB	
Power Handling			40 W (CW)
Specification Temperature		+25°C	
Operating Temperature	-40°C		+85°C

Mechanical Specifications:

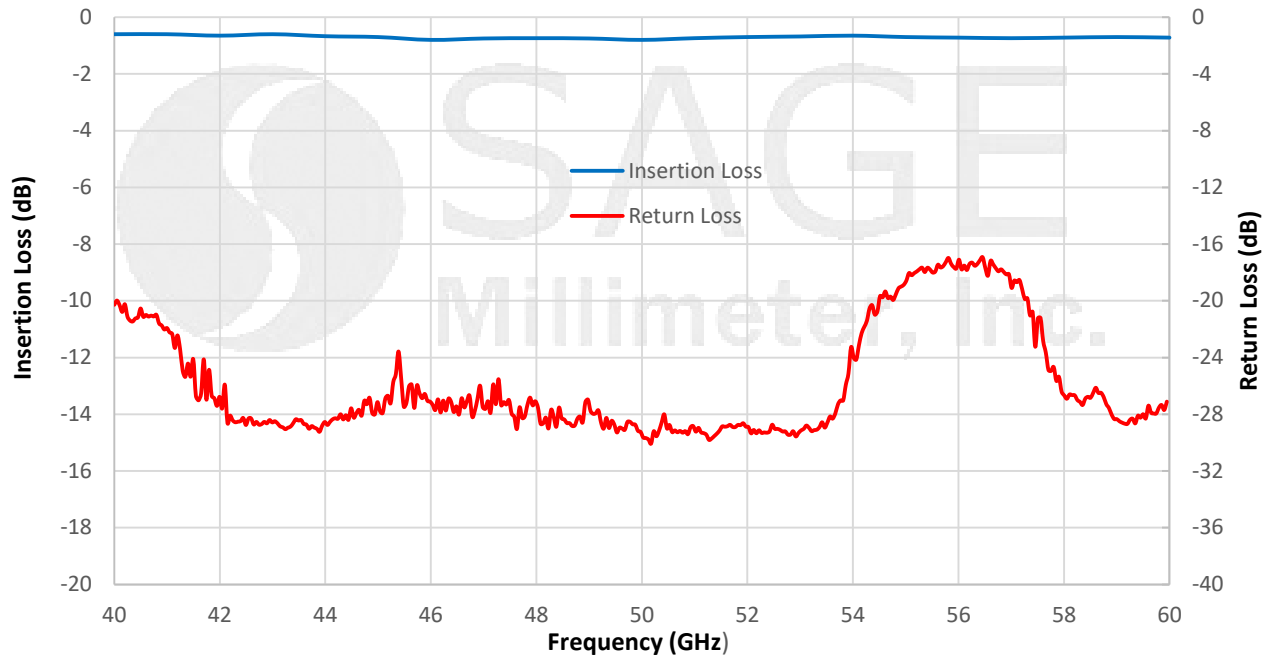
Item	Specification
Waveguide	WR-19 with UG-383/U Flange
Coaxial	1 mm Female for Model Number: SWC-191F-E1-WR
Coaxial	1 mm Male for Model Number: SWC-191M-E1-WR
Size	0.90" (L) x 1.70" (Ø) for Model Number: SWC-191F-E1-WR
Body Material	Aluminum
Flange Material	Brass
Finish	Gold Plated
Weight	1.9 Oz
Outline	WC-U1E-WR



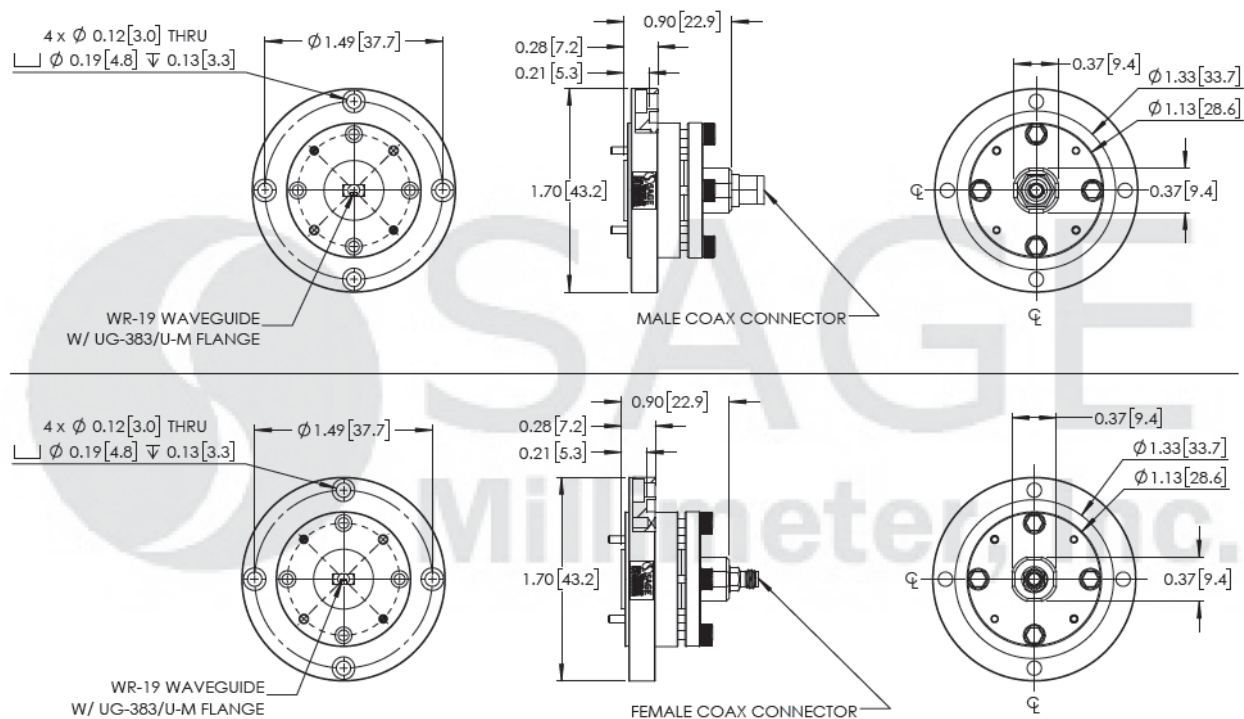


U-Band Waveguide to Coax Panel Mount Adapter, End Launch

Typical Insertion Loss & Return Loss vs. Frequency (Back to Back)



Mechanical Outline: (Unless otherwise specified, all dimensions are in inches [millimeters])



U-Band Waveguide to Coax Panel Mount Adapter, End Launch

Note:

- All data are presented using a limited sample lot, actual data may vary unit to unit.
- All testing was performed under 25°C case temperature.
- SAGE Millimeter, Inc. reserves the right to change the information presented without notice.

Caution:

- Any foreign objects in the waveguide will cause performance degradation and may damage the adapter.
- Proper torque, 8.0 ± 0.15 inch-pounds (0.92 ± 0.05 Nm), should be applied. **SAGE Millimeter torque wrench, model SCH-08008-S1, is highly recommended.**

