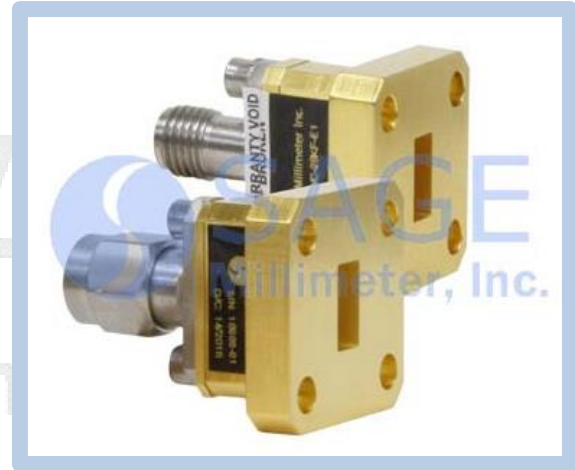




Ka-Band Waveguide to K Connector Adapter, End Launch

Description:

Models **SWC-28KF-E1** and **SWC-28KM-E1** are end launch (180°) Ka-Band waveguide to coax adapters that cover the frequency range of 26.5 to 40 GHz. They are designed and manufactured for instrumentation grade quality but offered at a commercial grade price, allowing for an efficient transition between the rectangular waveguide and 2.92 mm (K) coax connector. The right angle (90°) versions are offered under model numbers SWC-28KF-R1 and SWC-28KM-R1.



Features:

- Broad Band Coverage
- Lower Insertion Loss and VSWR
- Instrumentation Grade
- DC Short Circuit

Applications:

- Test Lab
- Instrumentations
- Sub-assemblies

Electrical Specifications:

Parameter	Minimum	Typical	Maximum
Frequency Range	26.5 GHz		40.0 GHz
Insertion Loss		0.25 dB	
Return Loss		20 dB	
Power Handling			50 W (CW)
Specification Temperature		+25°C	
Operating Temperature	-40°C		+85°C

Mechanical Specifications:

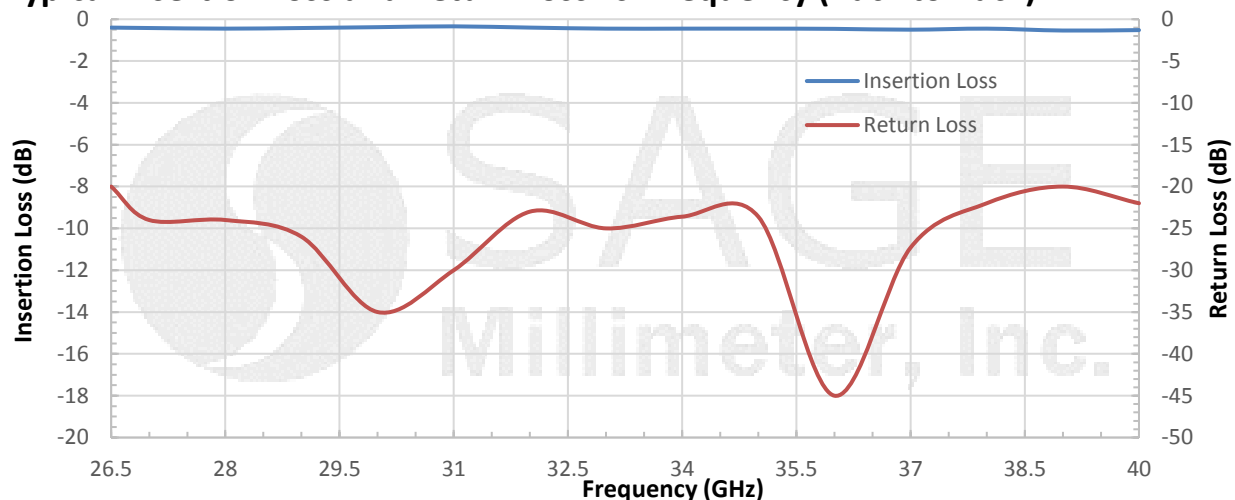
Item	Specification
Waveguide	WR-28 with UG599/U Flange
Coaxial	2.92 mm (K) Female for Model Number: SWC-28KF-E1
Coaxial	2.92 mm (K) Male for Model Number: SWC-28KM-E1
Size	0.86" (L) x 0.75" (S) for Model Number: SWC-28KF-E1
Size	0.99" (L) x 0.75" (S) for Model Number: SWC-28KM-E1
Housing Material	Aluminum
Finish	Gold Plated
Weight	0.2 Oz
Outline	WC-AE



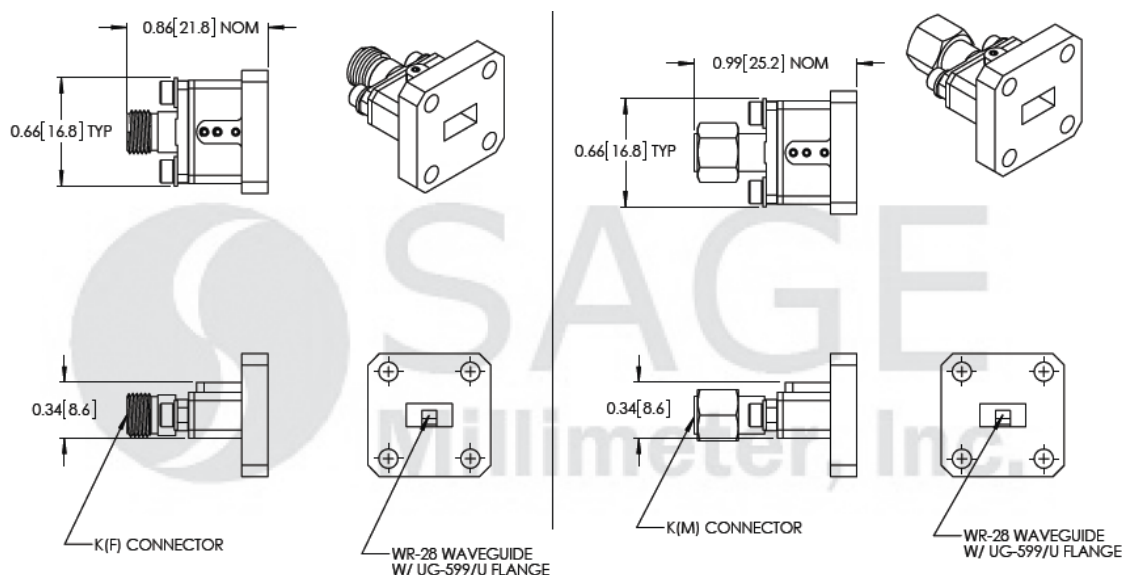


Ka-Band Waveguide to K Connector Adapter, End Launch

Typical Insertion Loss and Return Loss vs. Frequency (Back to Back)



Mechanical Outline: (Unless otherwise specified, all dimensions are in inches[millimeters])



Note:

- All data are presented using a limited sample lot, actual data may vary unit to unit.
- All testing was performed under 25°C case temperature.
- SAGE Millimeter, Inc. reserves the right to change the information presented without notice.

Caution:

- Any foreign objects in the waveguide will cause performance degradation and may damage the adapter.
- Proper torque, 8.0 ± 0.15 inch-pounds (0.92 ± 0.05 Nm), should be applied. **SAGE Millimeter torque wrench, model SCH-08008-S1, is highly recommended.**



www.sagemillimeter.com | 3043 Kashiwa Street, Torrance, CA 90505
 Phone: 424-757-0168 | Fax: 424-757-0188 | Email: sales@sagemillimeter.com