



## Waveguide Bandpass Filter, Ka Band, 33.0 to 37.0 GHz

### Description:

**Model SWF-35304340-28-B1** is a Ka band waveguide bandpass filter with a passband frequency of 33.0 to 37.0 GHz and rejection frequencies from DC to 31 GHz and 39 to 46 GHz. The nominal insertion loss of the bandpass filter is 1.5 dB and the typical rejection is 40 dB. Since both low end and high end cut off frequencies can be selected by modifying the design, custom designs are available under different model numbers.



### Features:

- Low Cost
- Low Insertion Loss
- High Rejection

### Applications:

- Communication Systems
- Radar Systems
- Sub-assemblies

### Electrical Specifications:

Parameter	Minimum	Typical	Maximum
Passband Frequency	33.0 GHz		37.0 GHz
Passband Insertion Loss		1.5 dB	
Passband Ripple		±0.25 dB	
Rejection Frequency, Low Side	DC		31.0 GHz
Rejection Frequency, High Side	39.0 GHz		46.0 GHz
Rejection		40 dB	
Passband VSWR		1.5:1	
Specification Temperature		+25°C	
Operating Temperature	-40°C		+85°C

### Mechanical Specifications:

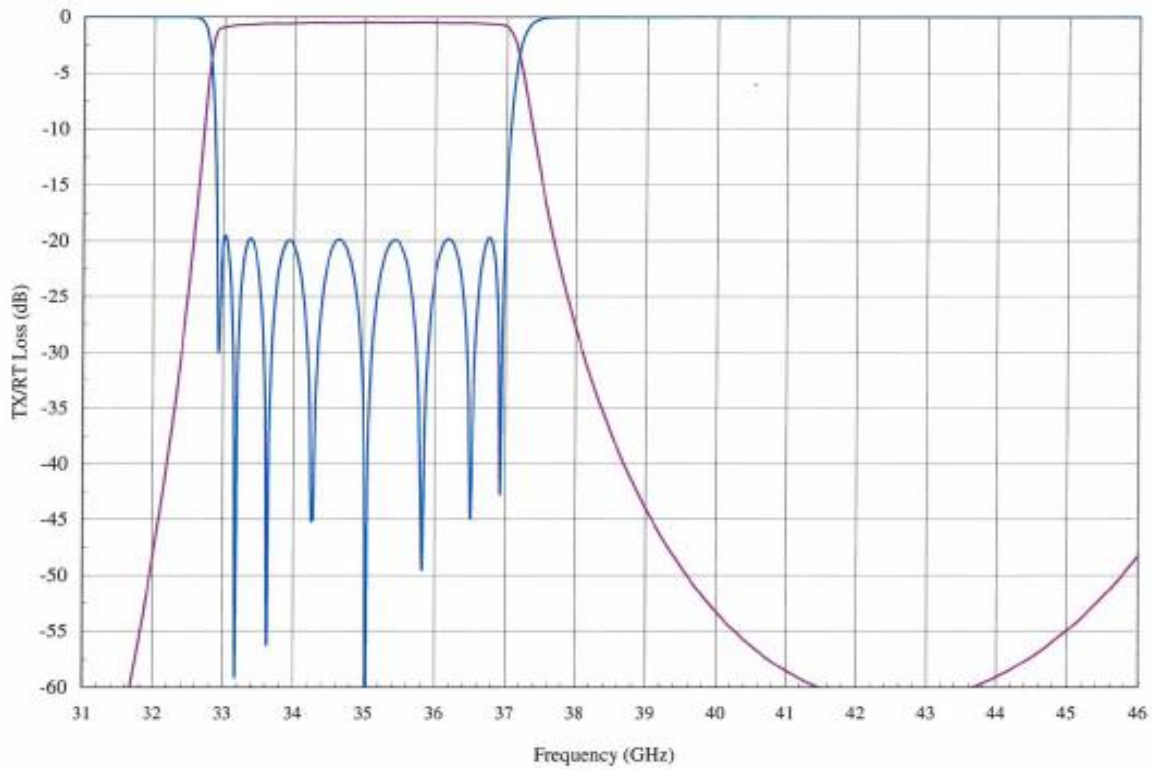
Parameter	Connector
Waveguide	WR-28 Waveguide with UG-599/U Flange
Size	2.00" (L) X 0.75" (W) X 0.75" (H)
Material	Aluminum
Finish	Gold Plated
Weight	3.0 Oz
Outline	WF-BA





## Waveguide Bandpass Filter, Ka Band, 33.0 to 37.0 GHz

### Simulated Data

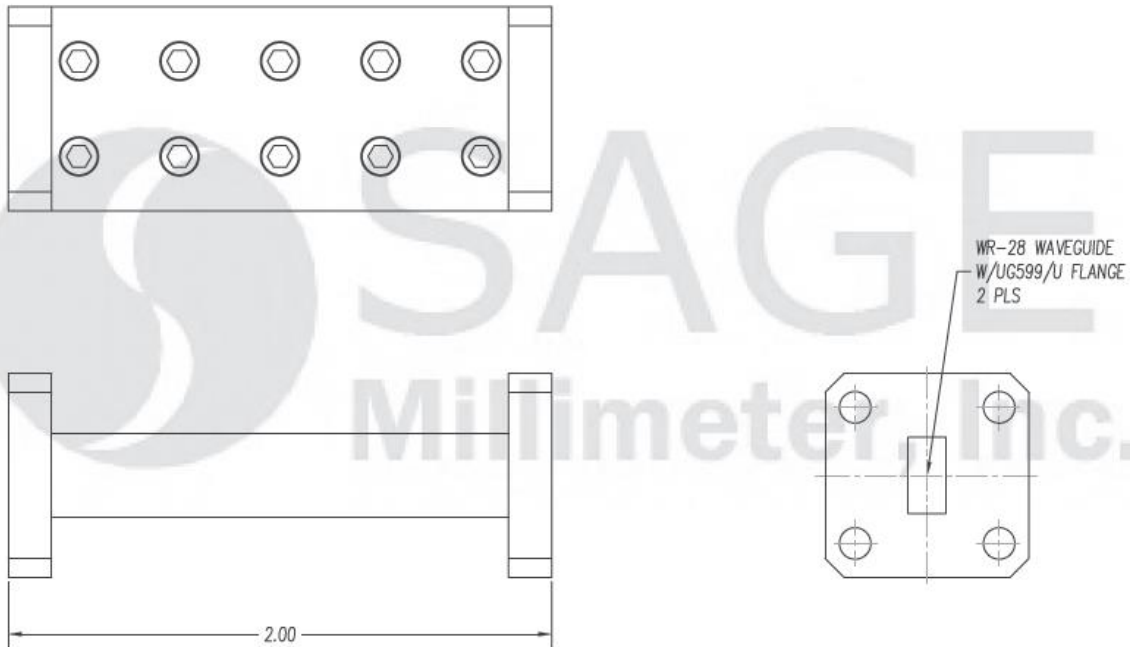


**Mechanical Outline:** (Unless otherwise specified, all dimensions are in inches)



www.sagemillimeter.com | 3043 Kashiwa Street, Torrance, CA 90505  
Phone: 424-757-0168 | Fax: 424-757-0188 | Email: sales@sagemillimeter.com

## Waveguide Bandpass Filter, Ka Band, 33.0 to 37.0 GHz



**Note:**

- All data presented are simulated.
- SAGE Millimeter, Inc. reserves the right to change the information presented without notice.

**Caution:**

- Any foreign objects in the waveguide will degrade performance and/or damage the device.

