



Waveguide Bandpass Filter, W Band, 92 to 96 GHz

Description:

Model SWF-94304340-10-B1 is a W band waveguide bandpass filter with a passband frequency of 92 to 96 GHz and rejection frequencies from DC to 90 GHz and 98 to 130 GHz. The nominal insertion loss of the bandpass filter is 2.5 dB and the typical rejection is 40 dB. Since both low end and high end cut off frequencies can be selected by modifying the design, custom designs are available under different model numbers.



Features:

- Low Cost
- Low Insertion Loss
- High Rejection

Applications:

- Communication Systems
- Radar Systems
- Sub-assemblies

Electrical Specifications:

Parameter	Minimum	Typical	Maximum
Passband Frequency	92 GHz		96 GHz
Passband Insertion Loss		2.5 dB	3.5 dB
Passband Ripple		±0.3 dB	
Rejection Frequency, Low Side	DC		90 GHz
Rejection Frequency, High Side	98 GHz		130 GHz
Rejection	35 dB	40 dB	
Passband VSWR		1.5:1	
Specification Temperature		+25°C	
Operating Temperature	-40°C		+85°C

Mechanical Specifications:

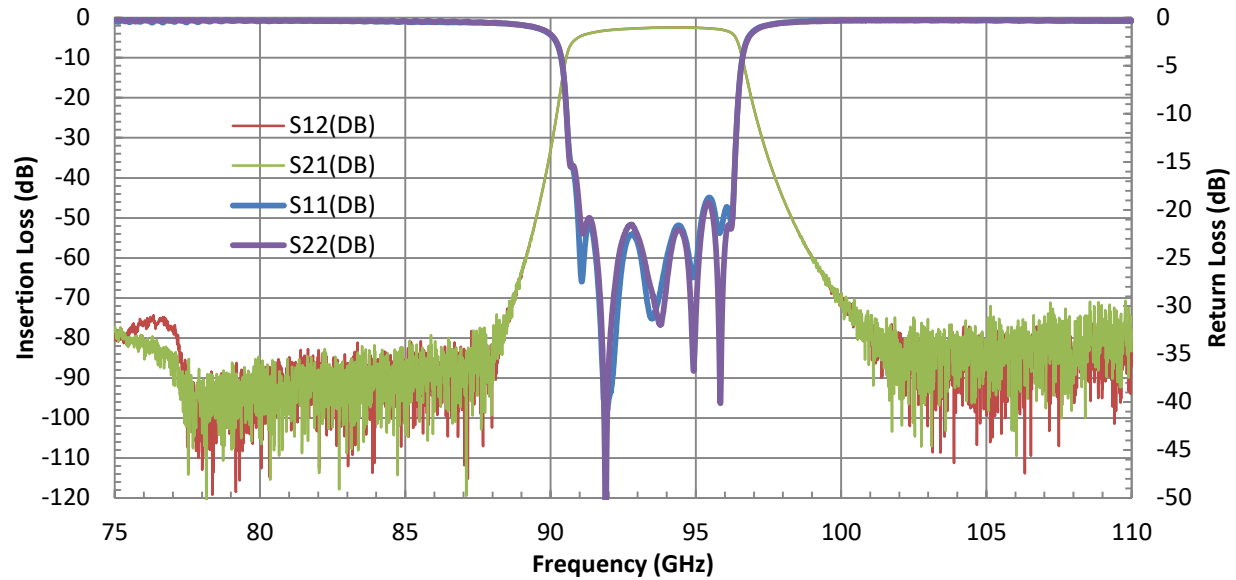
Item	Specification
Waveguide	WR-10 Waveguide with UG-387/U-M Flange
Size	1.20" (L) X 0.75" (Ø)
Material	Aluminum
Finish	Gold Plated
Weight	0.4 Oz
Outline	WF-BW



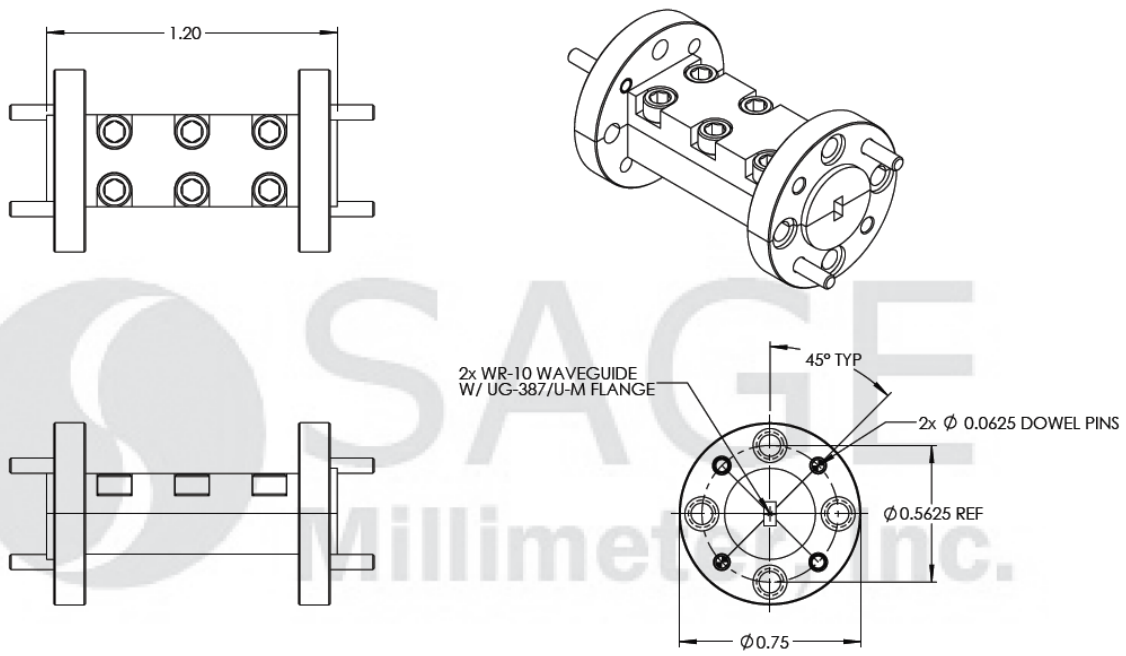


Waveguide Bandpass Filter, W Band, 92 to 96 GHz

Typical Insertion Loss and Return Loss vs. Frequency



Mechanical Outline: (Unless otherwise specified, all dimensions are in inches)



Note:

- All data presented is collected from a sample lot. Actual data may vary unit to unit.
- All testing was performed under +25°C case temperature.
- SAGE Millimeter, Inc. reserves the right to change the information presented without notice.



www.sagemillimeter.com | 3043 Kashiwa Street, Torrance, CA 90505
 Phone: 424-757-0168 | Fax: 424-757-0188 | Email: sales@sagemillimeter.com

Waveguide Bandpass Filter, W Band, 92 to 96 GHz

Caution:

- Any foreign objects in the waveguide will cause performance degradation and possible device damage.

