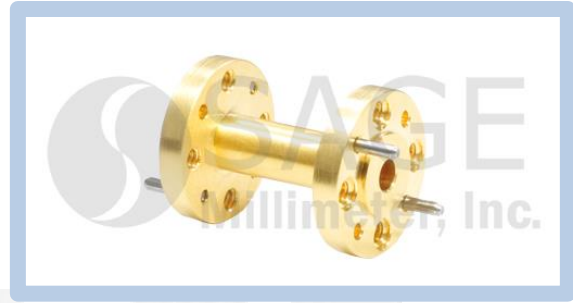




## 0.125" Diameter Circular Waveguide Section, 1"

### Description:

**SWG-125010-FB** is a 1" long, E-band straight waveguide section with 0.125" diameter circular waveguide with UG387/U-M flange. The straight waveguide is manufactured with a precision machining process to ensure high quality and ruggedness. The waveguide is offered to cover the frequency range of 68 to 77 GHz and extended frequency range of 60 to 90 GHz if the dominate TE<sub>11</sub> mode is maintained.



### Features:

- Frequency Range: 68 to 77 GHz
- Rugged Waveguide Configuration
- Low Insertion Loss

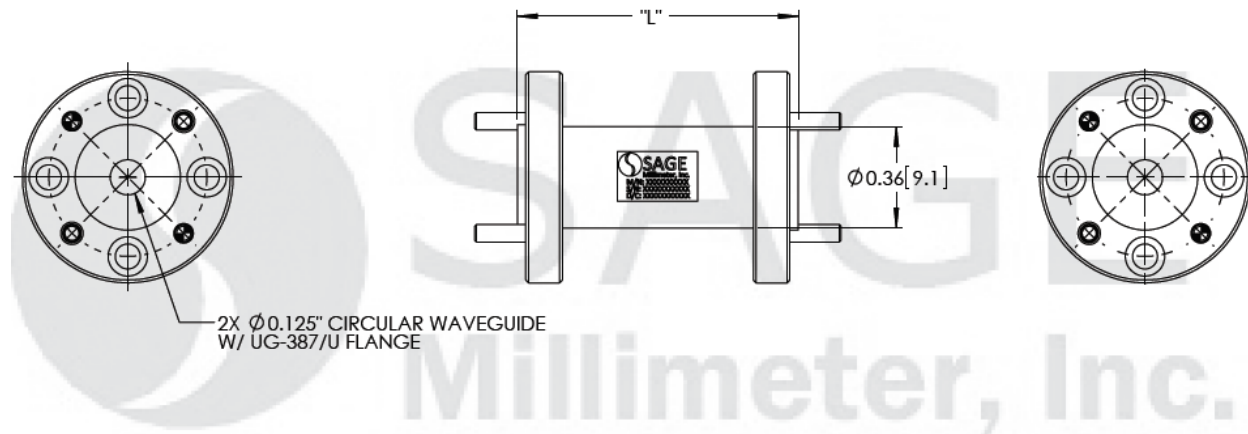
### Applications:

- Test Instrumentation
- Sub-assemblies

### Mechanical Specifications:

Item	Specification
Waveguide Size	0.125" Diameter Circular Waveguide with UG-387/U-M Flange
Insertion Length	1.0"
Flange Material	Brass
Waveguide Material	Brass
Finish	Gold Plated
Weight	0.8 Oz
Outline	WG-FE-125-L

### Mechanical Outline: (Unless otherwise specified, all dimensions are in inches [millimeters])



### Note:

- SAGE Millimeter, Inc. reserves the right to change the information presented without notice.

