



## WR-15 Waveguide Spacer, 61 Mils, 1/4 λg

### Description:

**SWI-15061-SB** is a 0.061" thick, 1/4 wavelength, instrumentation grade V Band waveguide spacer (shim) with WR-15 window and UG-385/U circular flange. The spacer is manufactured with a precision machining process to ensure high quality and ruggedness. The spacer is offered to cover the frequency range of 50 to 75 GHz.



### Features:

- Frequency Range: 50 to 75 GHz
- 1/4 Wavelength
- Low Insertion Loss
- Instrumentation Grade

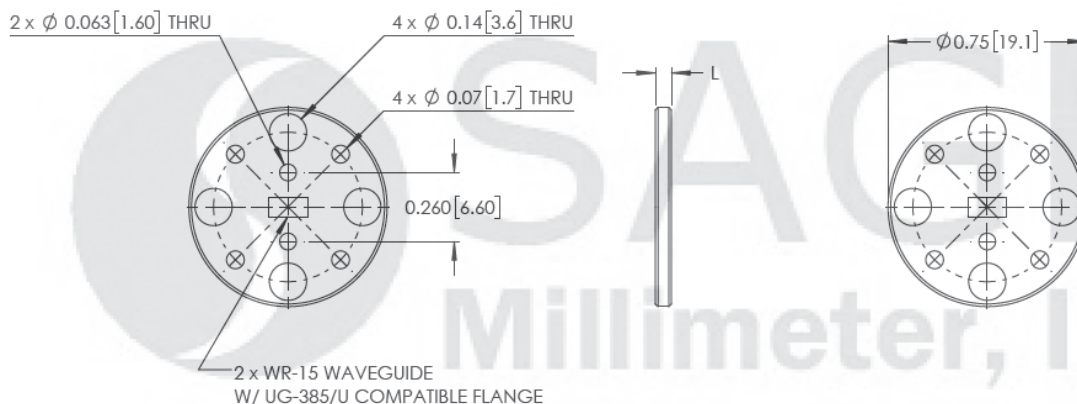
### Applications:

- Module Tuning
- Sub-assemblies
- Mechanical Fitting
- VNA Calibration

### Mechanical Specifications:

Item	Specification
Waveguide Size	WR-15 Waveguide with UG-385/U Flange
Material	Brass
Finish	Gold Plated
Weight	0.4 Oz
Insertion Length	0.061"(L)
Outline	WI-VL

**Mechanical Outline:** (Unless otherwise specified, all dimensions are in inches [millimeters])



### Note:

- Length "L" is customizable.
- SAGE Millimeter, Inc. reserves the right to change the information presented without notice.

