



WR-15 Waveguide Spacer, 92 Mils, 3/8 λg

Description:

SWI-15092-SB is a 0.092" thick V-band spacer (shim) with WR-15 window and UG-385/U circular flange. The spacer is manufactured with a precision machining process to ensure high quality and ruggedness. The spacer is offered to cover the frequency range of 50 to 75 GHz.



Features:

- Frequency Range: 50 to 75 GHz
- Rugged Waveguide Configuration
- Low Insertion Loss

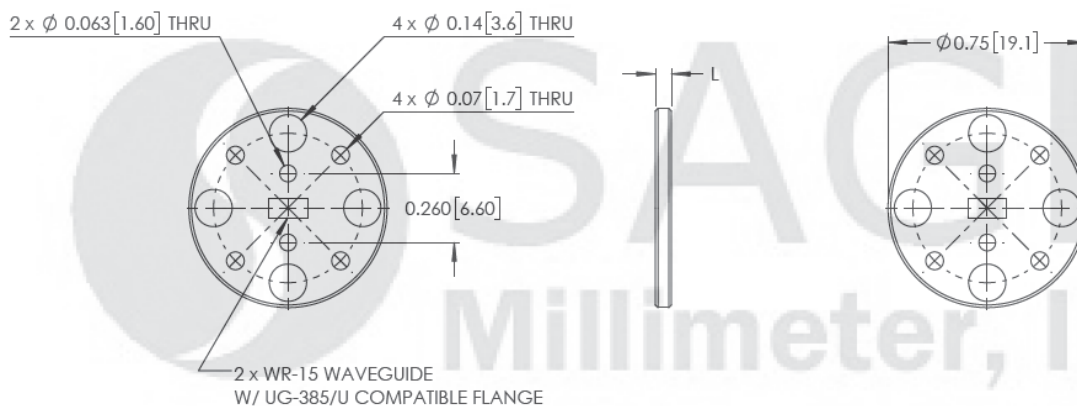
Applications:

- Module Tuning
- Sub-assemblies
- Mechanical Fitting

Mechanical Specifications:

Item	Specification
Waveguide Size	WR-15 Waveguide with UG-385/U Flange
Material	Brass
Finish	Gold Plated
Weight	0.2 Oz
Insertion Length	0.092"(L)
Outline	WI-VL

Mechanical Outline: (Unless otherwise specified, all dimensions are in inches [millimeters])



Note:

- Length "L" is customizable.
- SAGE Millimeter, Inc. reserves the right to change the information presented without notice.

