

## WR-19 Waveguide Spacer, 76 Mils, 1/4 λg

### Description:

**SWI-19076-SB** is a 0.076" thick, 1/4 wavelength, instrumentation grade U Band waveguide spacer (shim) with WR-19 window and UG-383/U-M circular flange. The spacer is manufactured with a precision machining process to ensure high quality and ruggedness. The spacer is offered to cover the frequency range of 40 to 60 GHz.



### Features:

- Frequency Range: 40 to 60 GHz
- 1/4 Wavelength
- Low Insertion Loss
- Instrumentation Grade

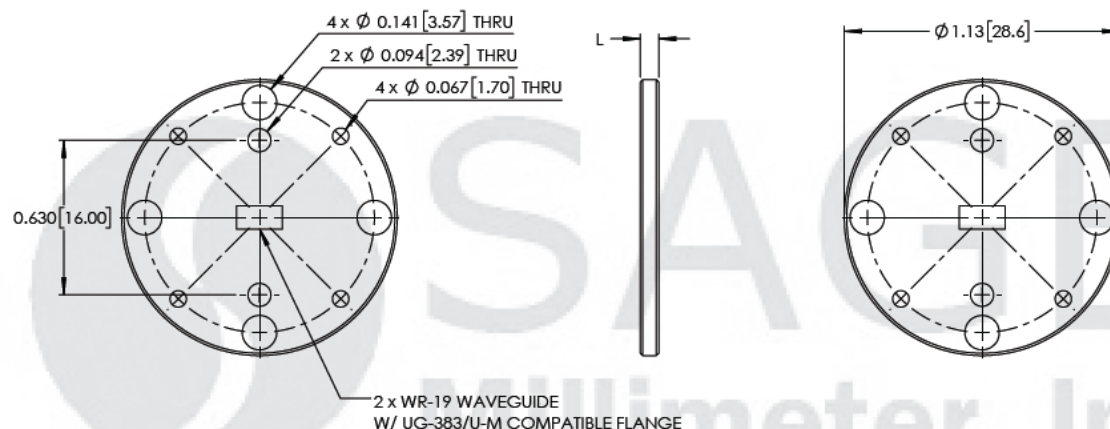
### Applications:

- Module Tuning
- Sub-assemblies
- Mechanical Fitting
- VNA Calibration

### Mechanical Specifications:

Item	Specification
Waveguide Size	WR-19 Waveguide with UG-383/U-M Flange
Material	Brass
Finish	Gold Plated
Weight	0.4 Oz
Insertion Length	0.076" (L)
Outline	WI-UL

**Mechanical Outline:** (Unless otherwise specified, all dimensions are in inches [millimeters])



### Note:

- Length "L" is customizable.
- SAGE Millimeter, Inc. reserves the right to change the information presented without notice.



www.sagemillimeter.com | 3043 Kashiwa Street, Torrance, CA 90505  
 Phone: 424-757-0168 | Fax: 424-757-0188 | Email: sales@sagemillimeter.com