



## Waveguide Tunable Load, W Band

### Description:

**Model SWL-1023-T1** is a W-band tunable waveguide load that covers the frequency range of 75 to 110 GHz. The tunable load is constructed with a linear bearing and high precision Mitutoyo micrometer to guarantee smooth, long term repeatable mechanical movements. The tunable load offers 30 dB minimum return loss and up to +23 dBm RF power.



### Features:

- High Return Loss
- Linear Bearing Configuration
- Mitutoyo Micrometer Driven

### Applications:

- Test Labs
- Test Instrumentation
- System Calibration and Tuning

### Electrical Specifications:

Parameter	Minimum	Typical	Maximum
Frequency	75 GHz		110 GHz
VSWR		1.06:1	
Power Handling		+23 dBm	+25 dBm
Specification Temperature		+25°C	
Operating Temperature	-40°C		+85°C

### Mechanical Specifications:

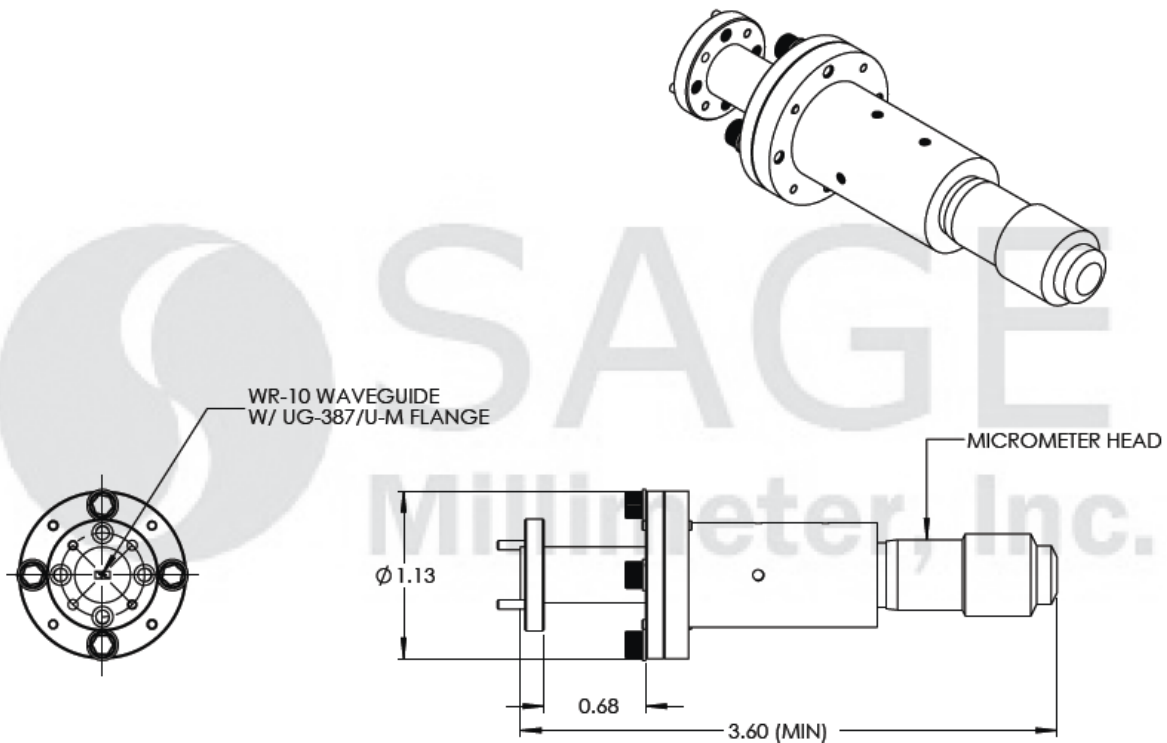
Port	Specifications
Waveguide	WR-10 Waveguide with UG 387/U-M Flange
Waveguide Material	Copper
Waveguide Flange Material	Brass
Finish	Gold Plated Waveguide; Black Anodized Handle
Weight	3.5 Oz
Outline	WL-WT





## Waveguide Tunable Load, W Band

**Mechanical Outline:** (Unless otherwise specified, all dimensions are in inches)



**Note:**

- All data are presented using a limited sample lot. Actual data may vary unit to unit.
- All testing was performed under 25°C case temperature.
- SAGE Millimeter, Inc. reserves the right to change the information presented without notice.

**Caution:**

- Any foreign objects in the waveguide will degrade performance and/or damage the device.

