

Waveguide Tunable Load, U Band

Description:

Model SWL-1927-T1 is a U-band tunable waveguide load that covers the frequency range of 40 to 60 GHz. The tunable load is constructed with a linear bearing and high precision Mitutoyo micrometer to guarantee smooth, long term repeatable mechanical movements. The tunable load offers 30 dB minimum return loss and up to +27 dBm RF power.



Features:

- High Return Loss
- Linear Bearing Configuration
- Mitutoyo Micrometer Driven

Applications:

- Test Labs
- Test Instrumentation
- System Calibration and Tuning

Electrical Specifications:

Parameter	Minimum	Typical	Maximum
Frequency Range	40 GHz		60 GHz
VSWR		1.06:1	
Power Handling		+27 dBm	+28 dBm
Specification Temperature		+25°C	
Operating Temperature	-40°C		+85°C

Mechanical Specifications:

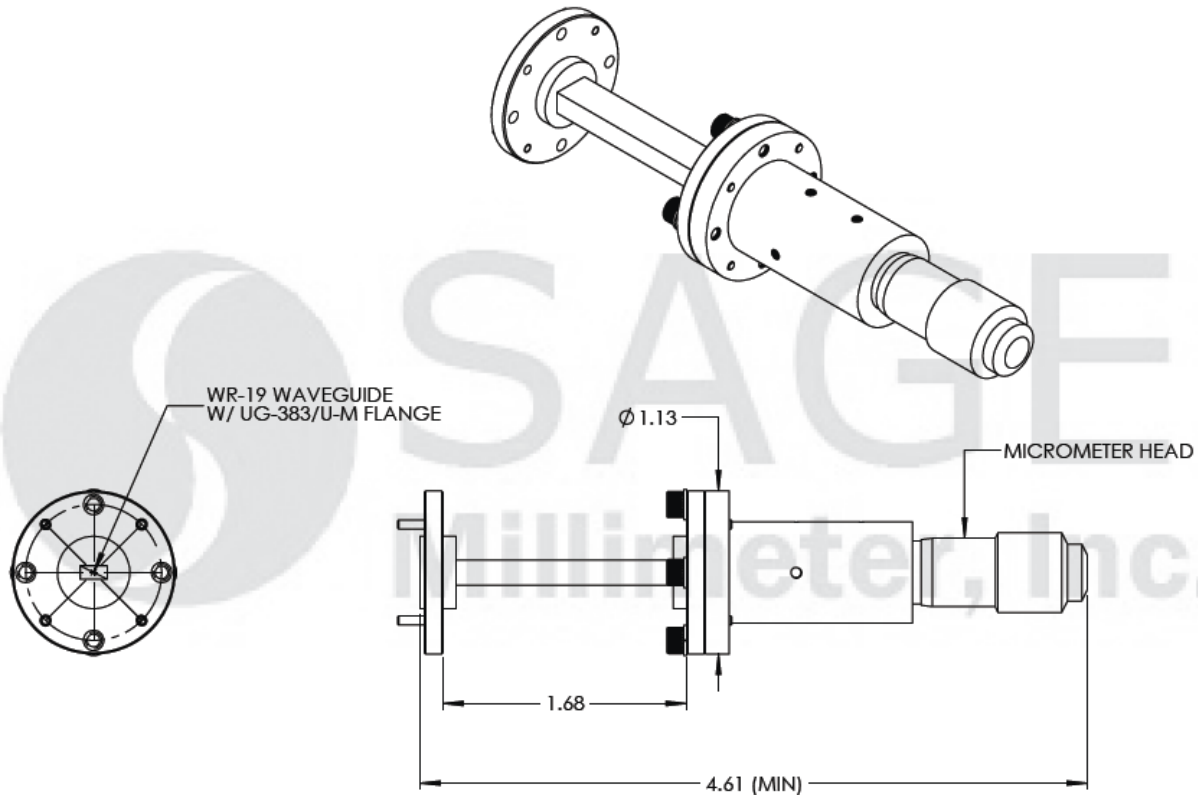
Item	Specifications
Waveguide	WR-19 Waveguide with UG-383/U-M Flange
Waveguide Material	Copper
Waveguide Flange Material	Brass
Finish	Gold Plated Waveguide; Black Anodized Handle
Weight	4.5 Oz
Outline	WL-UT





Waveguide Tunable Load, U Band

Mechanical Outline: (Unless otherwise specified, all dimensions are in inches)



Note:

- All data are presented using a limited sample lot. Actual data may vary unit to unit.
- All testing was performed under 25°C case temperature.
- SAGE Millimeter, Inc. reserves the right to change the information presented without notice.

Caution:

- Any foreign objects in the waveguide will degrade performance and/or damage the device.

