

X-Band Waveguide Termination Load, 1,100 Watts

Description:

Model SWL-9060-S6 is a high power, X-Band termination load that covers the frequency range of 8.2 to 12.4 GHz. The termination load exhibits a typical return loss of 17 dB and 1,100 Watts power handling capacity. It is designed and manufactured to offer a good match for high power system applications. Various models with different power handling capacities are available.



Features:

- Full Waveguide Band Coverage
- High Power Handling Capacity
- 1,100 Watts CW
- 150 Kilo-Watts Peak

Applications:

- Higher Microwave Systems
- Sub-assemblies

Electrical Specifications:

Parameter	Minimum	Typical	Maximum
Frequency	8.2 GHz		12.4 GHz
Return Loss		17 dB	
Average Power Handling			1,100 W (CW)
Peak Power Handling			150 Kilo-Watts
Specification Temperature		+25 °C	
Operating Temperature	-40 °C		+85 °C

Mechanical Specifications:

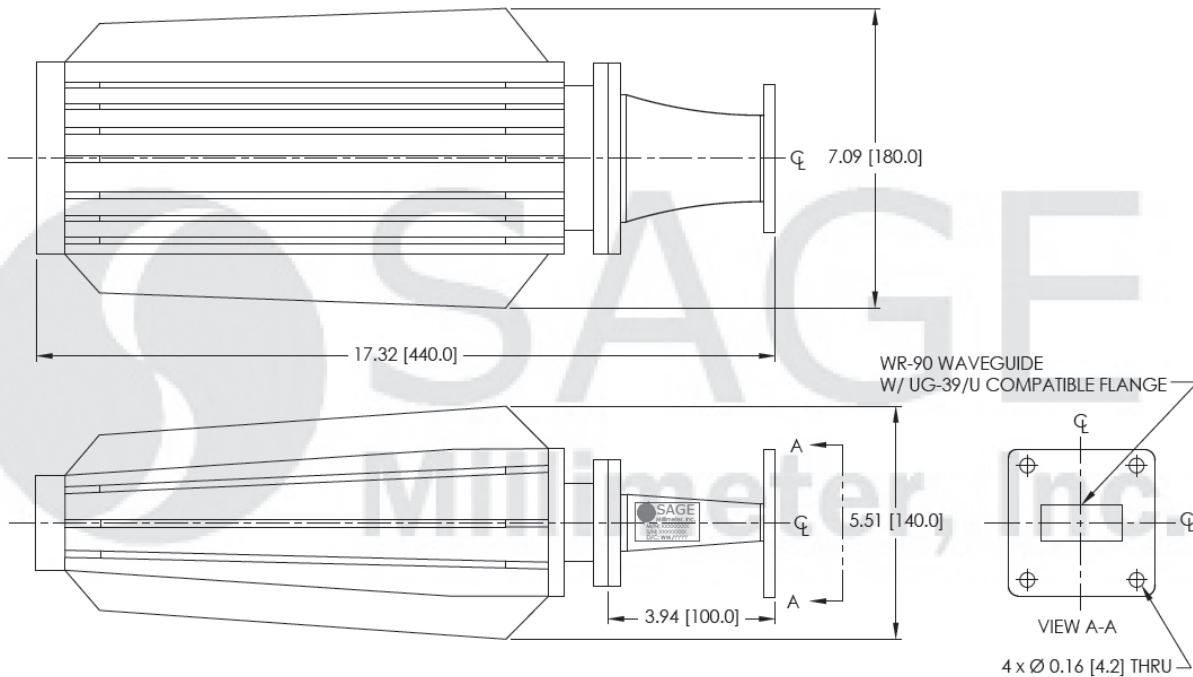
Item	Specification
Waveguide	WR-90 Waveguide
Flange	UG-39/U Flange
Waveguide Material	Aluminum
Surface Finish	Anticorrosion Black Paint
Weight	20 Lbs
Size	17.32" (L) x 7.09" (W) x 5.51"
Outline	WL-XH-1100-H1





X-Band Waveguide Termination Load, 1,100 Watts

Mechanical Outline: (Unless otherwise specified, all dimensions are in inches [millimeters])



Note:

- SAGE Millimeter, Inc. reserves the right to change the information presented without notice.

Caution:

- Any foreign objects in the waveguide will degrade performance and/or damage the device.

