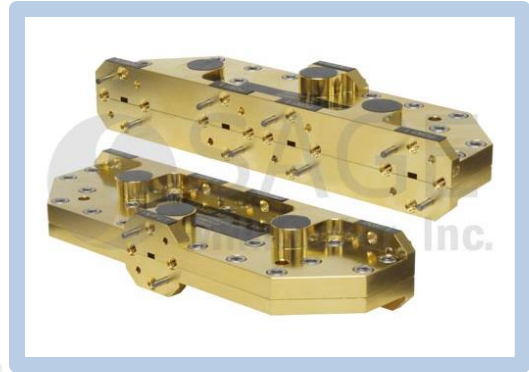




4-Way Waveguide Power Divider, 75 to 105 GHz

Description:

Model SWP-75311404-10-E1 is a W band, 4-way power divider with a typical insertion loss of 1.0 dB across the frequency range of 75 to 105 GHz. The divider offers 20 dB isolation and well balanced ports, which can be used for in-phase power dividing or combining. This power divider comes as an in-line configuration with WR-10 waveguides and UG-387/U-M flanges at the input and all outputs.



Features:

- Low Insertion Loss
- High Isolation
- Inline Configuration

Applications:

- Test Labs
- Test Instrumentation
- Sub-assemblies
- Power Combining and Dividing

Electrical Specifications:

Parameter	Minimum	Typical	Maximum
Frequency	75 GHz		105 GHz
Power Unbalance		±0.4 dB	
Phase Unbalance		±10°	
Insertion Loss		1.0 dB	
Isolation (Adjacent Ports)		20 dB	
Isolation (Non Adjacent Ports)		20 dB	
Power Handling			50 W (CW)
Specification Temperature		+25 °C	
Operating Temperature	-40 °C		+85 °C

Mechanical Specifications:

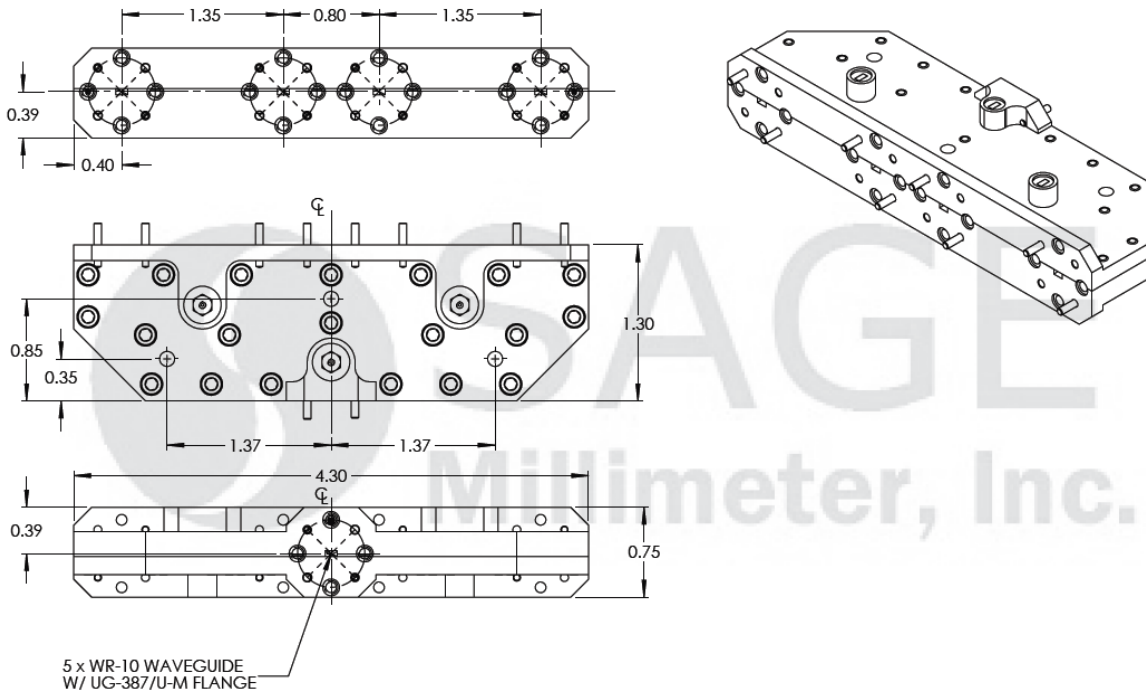
Item	Specification
Input Port	WR-10 Waveguide with UG-387/U-M Flange
Output Ports	WR-10 Waveguide with UG-387/U-M Flange
Output Port Separations	1.35" and 0.80"
Material	Aluminum
Finish	Gold Plated
Weight	3.6 Oz
Dimensions	4.30" (W) x 1.30" (L) x 0.75" (H)
Outline	WP-W4I





4-Way Waveguide Power Divider, 75 to 105 GHz

Mechanical Outline: (Unless otherwise specified, all dimensions are in inches)



Note:

- All data presented is collected from a sample lot. Actual data may vary unit to unit slightly.
- All testing was performed under +25 °C case temperature.
- SAGE Millimeter, Inc. reserves the right to change the information presented without notice.

Caution:

- Any foreign objects in the waveguide will degrade performance and/or damage the device.

