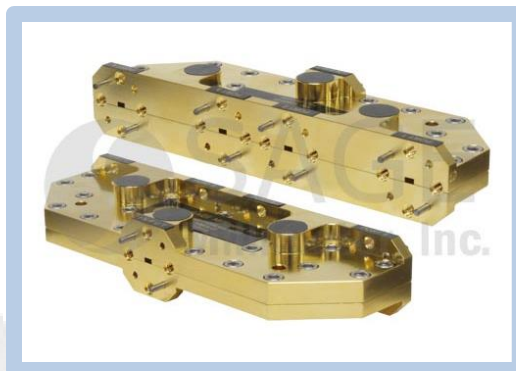




## Waveguide Power Divider, W Band, 4 Way, 90 to 105 GHz

### Description:

**Model SWP-90310404-10-E1** is a W band, 4-way power divider with a typical insertion loss of 1.0 dB across the frequency range of 90 to 105 GHz. The divider offers 20 dB isolation and well balanced ports, which can be used for in-phase power dividing or combining. This power divider comes as an in-line configuration with WR-10 waveguides and UG-387/U-M flanges at the input and all outputs.



### Features:

- Low Insertion Loss
- High Isolation
- Inline Configuration

### Applications:

- Test Labs
- Instrumentation
- Sub-assemblies

### Electrical Specifications:

Parameter	Minimum	Typical	Maximum
Frequency	90 GHz		105 GHz
Power Unbalance		±0.2 dB	
Phase Unbalance		±5°	
Insertion Loss		1.0 dB	
Isolation		20 dB	
Input/ Output Return Loss		20 dB	
Power Handling		10 W (CW)	50 W (CW)
Specification Temperature		+25 °C	
Operating Temperature	-40 °C		+85 °C

### Mechanical Specifications:

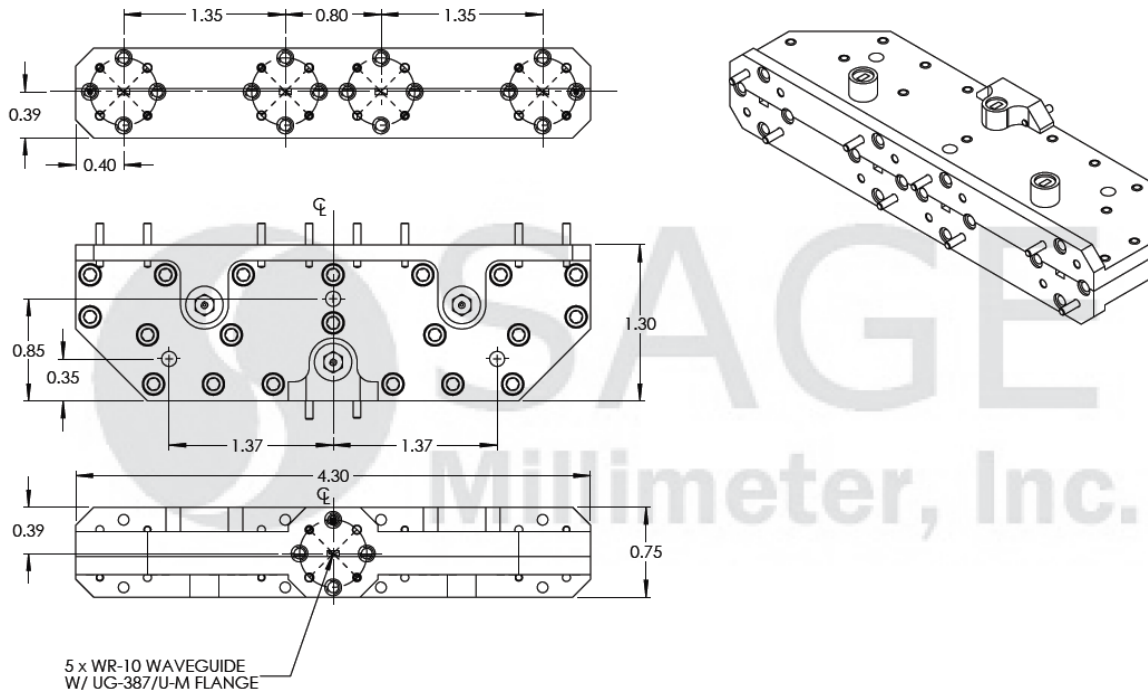
Item	Specification
Input Port	WR-10 Waveguide with UG-387/U-M Flange
Output Port	WR-10 Waveguide with UG-387/U-M Flange
Output Port Separations	1.35" and 0.80"
Material	Aluminum
Finish	Gold Plated
Weight	3.6 Oz
Dimensions	4.30" (W) x 1.30" (L) x 0.75" (H)
Outline	WP-W4I





## Waveguide Power Divider, W Band, 4 Way, 90 to 105 GHz

**Mechanical Outline:** (Unless otherwise specified, all dimensions are in inches)



**Note:**

- All data presented is collected from a sample lot. Actual data may vary unit to unit slightly.
- All testing was performed under +25 °C case temperature.
- SAGE Millimeter, Inc. reserves the right to change the information presented without notice.

**Caution:**

- Any foreign objects in the waveguide will degrade performance and/or damage the device.

