



WR-06 Waveguide Bulkhead Adapter

Description:

SWW-0605-SB is a D-band waveguide bulkhead adapter with a WR-06 waveguide and UG-387/U-M flange for applications where panel mount waveguide interfaces are required. The adapter is manufactured with precision EDM machining process to ensure high quality and ruggedness. The adapter is offered to cover the frequency range of 110 to 170 GHz.



Features:

- Frequency Coverage: 110 to 170 GHz
- Rugged Waveguide Configuration
- Low Insertion Loss

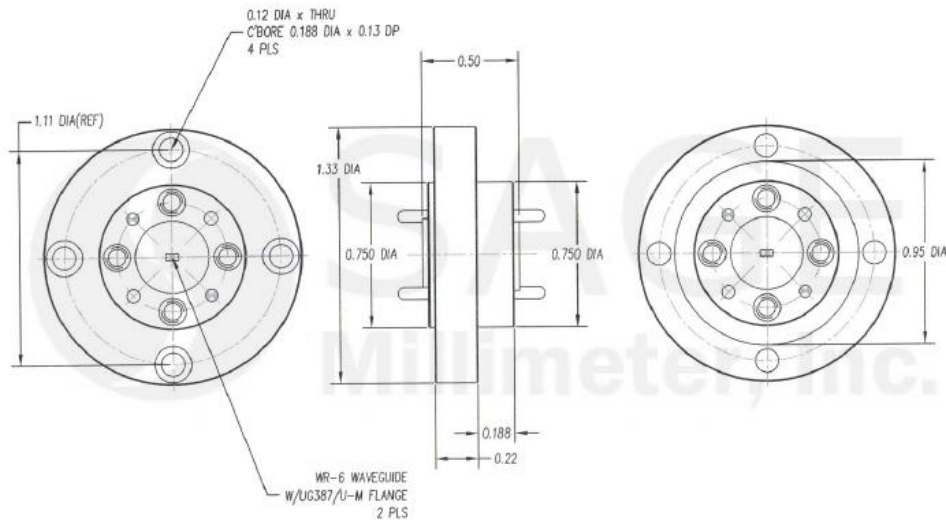
Applications:

- Test Instrumentation
- Sub-assemblies

Mechanical Specifications:

Items	Parameter
Waveguide Size	WR-06 Waveguide with UG-387/U-M flange
Insertion Length	0.50"
Material	Brass
Finish	Gold Plated
Weight	1.8 Oz
Outline	WW-DB

Mechanical Outline: (Unless otherwise specified, all dimensions are in inches)



Note:

- SAGE Millimeter, Inc. reserves the right to change the information presented without notice.



www.sagemillimeter.com | 3043 Kashiwa Street, Torrance, CA 90505
 Phone: 424-757-0168 | Fax: 424-757-0188 | Email: sales@sagemillimeter.com